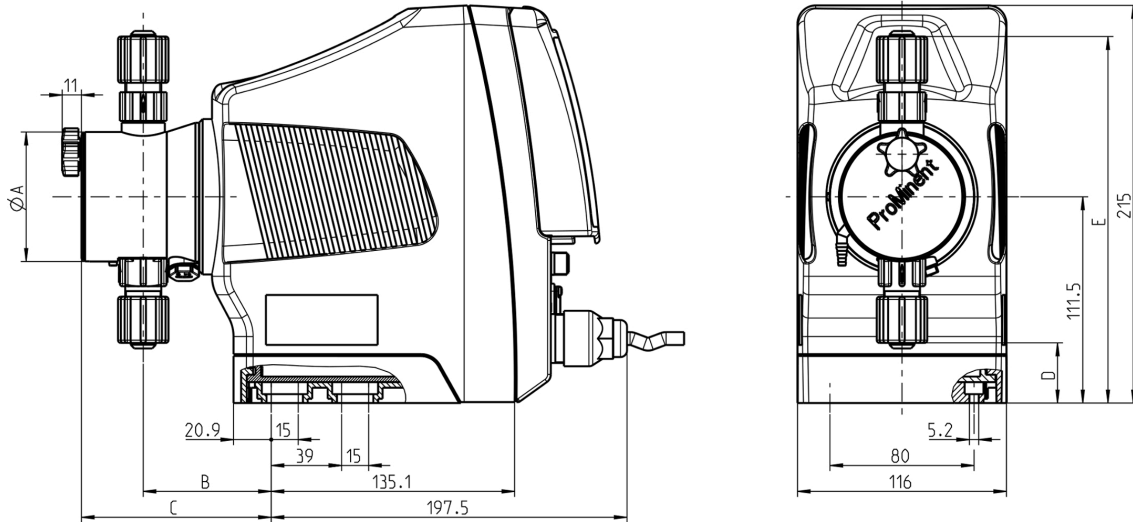


# Solenoid-Driven Metering Pump gamma/ X

## gamma/ X – the proven best-seller intelligently extended



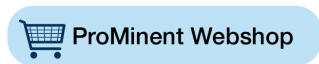
P\_G\_0055\_SW  
40129808

Exemplary representation. The dimensions depend on the configuration chosen.

**The solenoid-driven diaphragm metering pump gamma incorporates a wealth of eXcellent ingenuity! With integrated pressure measurement, it ensures the smooth running of your metering process. The gamma/ X is ideal for all metering work involving liquid media.**

### Technical Details

- Simple and fine adjustments to litre capacity in automatic mode. Can be regulated down to a few ml/h. Alternatively, the pump can also be operated in automatic “OFF” mode via stroke length and stroke rate.
- Illuminated LC display and 3-LED display for operating, warning and error messages, visible from all sides
- Factor with external contact control 99:1 - 1:99
- Batch operation with max. 99.99 or 99,999 strokes/start pulse
- Connector for 2-stage level switch
- Available material combinations: PP, PVDF, clear acrylic, PTFE and stainless steel
- Special dosing head designs for outgassing and high-viscosity media
- Optional 0/4 – 20 mA output for remote transmission of actual dosing rate and error messages
- Universal power supply unit 100 V - 230 V, 50/60 Hz
- Optional 230 V relay module, can be retrofitted easily and securely
- Optional 24 V combined relay, can be retrofitted easily and securely



# Solenoid-Driven Metering Pump gamma/ X

## gamma/ X – the proven best-seller intelligently extended

### Technical Data

Pump type	Stroke rate			Connector size o Ø x i Ø	Suction lift*	Shipping weight		
	bar	l/h	ml/stroke			Strokes/min	mm	m WC
<b>Metering pumps with non-self-bleeding dosing head</b>								
GMXa 0715	7	14.5	1.21	200	8 x 5	3.0	5.1	6.5
GMXa 0220	2	19.7	1.64	200	12 x 9	2.0	3.7	5.0
GMXa 0245	2	45.0	3.70	200	12 x 9	2.0	5.2	7.0
GMXa 0414	4	13.5	1.13	200	8 x 5	3.0	3.7	5.0
GMXa 0424	4	24.0	2.00	200	12 x 9	3.0	5.1	6.5
GMXa 0708	7	7.6	0.63	200	8 x 5	4.0	3.7	5.0
GMXa 1009	10	9.0	0.75	200	8 x 5	3.0	5.1	6.5
GMXa 1602	16	2.3	0.19	200	6 x 4	6.0	3.6	4.1
GMXa 1604	16	3.6	0.30	200	6 x 4	5.0	3.6	4.1
GMXa 2504	25	3.8	0.32	200	8 x 4	4.0	4.9	5.5
<b>Metering pumps with self-bleeding dosing head</b>								
GMXa 0708	7	5.6	0.47	200	8 x 5	1.8	3.7	-
GMXa 0220	2	18.0	1.50	200	12 x 9	1.8	3.7	-
GMXa 0245	2	40.0	3.33	200	12 x 9	1.8	5.2	-
GMXa 0414	4	12.2	1.01	200	8 x 5	1.8	3.7	-
GMXa 0424	4	22.0	1.83	200	12 x 9	1.8	5.1	-
GMXa 0715	7	13.0	1.08	200	8 x 5	1.8	5.1	-
GMXa 1009	10	6.6	0.55	200	8 x 5	1.8	5.1	-
GMXa 1602	10	1.5	0.13	200	6 x 4	1.8	3.6	-
GMXa 1604	10	2.2	0.18	200	6 x 4	1.8	3.6	-

\* Suction lift with a filled dosing head and filled suction line, with a self-bleeding dosing head with air in the suction line.

gamma/ X metering pumps with dosing heads for higher-viscosity media have a 10 – 20 % lower capacity and are not self-priming with all feed chemicals. G 3/4-DN 10 connector with d 16-DN 10 hose nozzle.

All data calculated with water at 20 °C.

### Materials in Contact with the Medium

Identity code of material	Dosing head	Connection on suction/discharge side	Ball seat	Seals	Balls
PPT	Polypropylene	PVDF	PVDF	PTFE	Ceramic
NPT	Clear acrylic	PVDF	PVDF	PTFE	Ceramic
PVT	PVDF	PVDF	PVDF	PTFE	Ceramic
TTT	Carbon-filled PTFE	Carbon-filled PTFE	Ceramic	PTFE	Ceramic
SST	Stainless steel 1.4404	Stainless steel 1.4404	Ceramic	PTFE	Ceramic

Metering reproducibility: ±1% when used according to the instructions in the operating instructions

Permissible ambient temperature: -10 °C to +45 °C

Mean power consumption: 25/30 W

Degree of protection: IP 66, NEMA 4X, insulation class F

#### Scope of supply

**Metering pump with mains cable, connector kit for hose/tube connector as per table.**