








**WASTECORP.**  
**Pumps®**








## **2021 Mud Sucker® Diaphragm Pump Brochure**

**Diaphragm Pumps • Double Diaphragm Pumps**

# Wastecorp Mud Sucker® - Range Overview

| OVERVIEW   | PRODUCT   | TECHNICAL SPECIFICATIONS  | PAGE           |            |                   |             |                     |               |                 |                    |                       |         |               |  |    |
|--|---|---|----------------|------------|-------------------|-------------|---------------------|---------------|-----------------|--------------------|-----------------------|---------|---------------|--|----|
| <ul style="list-style-type: none"> <li>■ The best selling 2" diaphragm pump in North America</li> <li>■ Pump up to 20 GPM</li> <li>■ Ideal for thousands of applications</li> <li>■ Electric, engine, hydraulic and air operated drive systems</li> <li>■ Aluminum construction</li> </ul>             | <p><b>Mud Sucker 2FAC™ Series</b></p>      | <table border="1"> <tr> <td>Max. capacity</td> <td>20 GPM</td> </tr> <tr> <td>Max. suction lift</td> <td>20' v/75' h</td> </tr> <tr> <td>Max. discharge head</td> <td>50' v /300' h</td> </tr> <tr> <td>Connection size</td> <td>1.5"- 2"</td> </tr> <tr> <td>Solids handling</td> <td>1"- 1½"</td> </tr> <tr> <td>Power options</td> <td>electric, engine, hydraulic and air operated drive systems</td> </tr> </table>                      | Max. capacity  | 20 GPM     | Max. suction lift | 20' v/75' h | Max. discharge head | 50' v /300' h | Connection size | 1.5"- 2"           | Solids handling       | 1"- 1½" | Power options | electric, engine, hydraulic and air operated drive systems | 8  |
| Max. capacity  | 20 GPM  |   |                |            |                   |             |                     |               |                 |                    |                       |         |               |  |    |
| Max. suction lift  | 20' v/75' h   |   |                |            |                   |             |                     |               |                 |                    |                       |         |               |  |    |
| Max. discharge head  | 50' v /300' h   |   |                |            |                   |             |                     |               |                 |                    |                       |         |               |  |    |
| Connection size  | 1.5"- 2"  |   |                |            |                   |             |                     |               |                 |                    |                       |         |               |  |    |
| Solids handling  | 1"- 1½"   |   |                |            |                   |             |                     |               |                 |                    |                       |         |               |  |    |
| Power options  | electric, engine, hydraulic and air operated drive systems  |   |                |            |                   |             |                     |               |                 |                    |                       |         |               |  |    |
| <ul style="list-style-type: none"> <li>■ Original flapper valve design</li> <li>■ 3" connection</li> <li>■ Pump up to 80 GPM</li> <li>■ Electric, engine, hydraulic and air operated drive systems</li> <li>■ Aluminum construction</li> </ul>   | <p><b>Mud Sucker 3FA™ Series</b></p>       | <table border="1"> <tr> <td>Max. capacity</td> <td>80 GPM</td> </tr> <tr> <td>Max. suction lift</td> <td>20' v/75' h</td> </tr> <tr> <td>Max. discharge head</td> <td>50' v /300' h</td> </tr> <tr> <td>Connection size</td> <td>2"</td> </tr> <tr> <td>Solids handling</td> <td>2¼"</td> </tr> <tr> <td>Power options</td> <td>electric, engine, hydraulic and air operated drive systems</td> </tr> </table>                                | Max. capacity  | 80 GPM     | Max. suction lift | 20' v/75' h | Max. discharge head | 50' v /300' h | Connection size | 2"                 | Solids handling       | 2¼"     | Power options | electric, engine, hydraulic and air operated drive systems | 14 |
| Max. capacity  | 80 GPM  |   |                |            |                   |             |                     |               |                 |                    |                       |         |               |  |    |
| Max. suction lift  | 20' v/75' h   |   |                |            |                   |             |                     |               |                 |                    |                       |         |               |  |    |
| Max. discharge head  | 50' v /300' h   |   |                |            |                   |             |                     |               |                 |                    |                       |         |               |  |    |
| Connection size  | 2"  |   |                |            |                   |             |                     |               |                 |                    |                       |         |               |  |    |
| Solids handling  | 2¼"   |   |                |            |                   |             |                     |               |                 |                    |                       |         |               |  |    |
| Power options  | electric, engine, hydraulic and air operated drive systems  |   |                |            |                   |             |                     |               |                 |                    |                       |         |               |  |    |
| <ul style="list-style-type: none"> <li>■ Advanced EPDM flapper valve design</li> <li>■ 3" connection</li> <li>■ Pump up to 80 GPM</li> <li>■ Heavy duty pumping applications including municipal wastewater, industrial applications, oil sludge and more</li> <li>■ Cast iron construction</li> </ul> | <p><b>Mud Sucker 3FAC™ Series</b></p>     | <table border="1"> <tr> <td>Max. capacity</td> <td>80 GPM</td> </tr> <tr> <td>Max. suction lift</td> <td>20' v/75' h</td> </tr> <tr> <td>Max. discharge head</td> <td>50' v /300' h</td> </tr> <tr> <td>Connection size</td> <td>3"</td> </tr> <tr> <td>Solids handling</td> <td>2¼"</td> </tr> <tr> <td>Power options</td> <td>electric, engine, hydraulic and air operated drive systems</td> </tr> </table>                                | Max. capacity  | 80 GPM     | Max. suction lift | 20' v/75' h | Max. discharge head | 50' v /300' h | Connection size | 3"                 | Solids handling       | 2¼"     | Power options | electric, engine, hydraulic and air operated drive systems | 18 |
| Max. capacity  | 80 GPM  |   |                |            |                   |             |                     |               |                 |                    |                       |         |               |  |    |
| Max. suction lift  | 20' v/75' h   |   |                |            |                   |             |                     |               |                 |                    |                       |         |               |  |    |
| Max. discharge head  | 50' v /300' h   |   |                |            |                   |             |                     |               |                 |                    |                       |         |               |  |    |
| Connection size  | 3"  |   |                |            |                   |             |                     |               |                 |                    |                       |         |               |  |    |
| Solids handling  | 2¼"   |   |                |            |                   |             |                     |               |                 |                    |                       |         |               |  |    |
| Power options  | electric, engine, hydraulic and air operated drive systems  |   |                |            |                   |             |                     |               |                 |                    |                       |         |               |  |    |
| <ul style="list-style-type: none"> <li>■ Advanced EPDM flapper valve design</li> <li>■ 4" connection</li> <li>■ New robust EPDM flappers.</li> <li>■ Cast iron construction</li> </ul>   | <p><b>Mud Sucker 4FA-C Series™</b></p>   | <table border="1"> <tr> <td>Max. capacity</td> <td>110 GPM</td> </tr> <tr> <td>Max. suction lift</td> <td>20' v/75' h</td> </tr> <tr> <td>Max. discharge head</td> <td>50' v /300' h</td> </tr> <tr> <td>Connection size</td> <td>4"</td> </tr> <tr> <td>Solids handling</td> <td>2¼"</td> </tr> <tr> <td>Power options</td> <td>Electric, engine, hydraulic and air operated drive systems</td> </tr> </table>                               | Max. capacity  | 110 GPM    | Max. suction lift | 20' v/75' h | Max. discharge head | 50' v /300' h | Connection size | 4"                 | Solids handling       | 2¼"     | Power options | Electric, engine, hydraulic and air operated drive systems | 20 |
| Max. capacity  | 110 GPM   |   |                |            |                   |             |                     |               |                 |                    |                       |         |               |  |    |
| Max. suction lift  | 20' v/75' h   |   |                |            |                   |             |                     |               |                 |                    |                       |         |               |  |    |
| Max. discharge head  | 50' v /300' h   |   |                |            |                   |             |                     |               |                 |                    |                       |         |               |  |    |
| Connection size  | 4"  |   |                |            |                   |             |                     |               |                 |                    |                       |         |               |  |    |
| Solids handling  | 2¼"   |   |                |            |                   |             |                     |               |                 |                    |                       |         |               |  |    |
| Power options  | Electric, engine, hydraulic and air operated drive systems  |   |                |            |                   |             |                     |               |                 |                    |                       |         |               |  |    |
| <ul style="list-style-type: none"> <li>■ Double diaphragm pumps with flapper valves</li> <li>■ Designed for mud, slurry, dirty water, select food processing applications, clay slurry and more</li> <li>■ Choice of aluminum or cast iron</li> </ul>  | <p><b>Mud Sucker FAC-DD™ Series</b></p>  | <table border="1"> <tr> <td>Capacity range</td> <td>40-220 GPM</td> </tr> <tr> <td>Max. suction lift</td> <td>20' v/75' h</td> </tr> <tr> <td>Max. discharge head</td> <td>50' v /300' h</td> </tr> <tr> <td>Connection size</td> <td>1.5", 2", 3" or 4"</td> </tr> <tr> <td>Solids handling range</td> <td>1¼"-2¼"</td> </tr> <tr> <td>Power options</td> <td>Electric, engine, hydraulic and air operated drive systems</td> </tr> </table> | Capacity range | 40-220 GPM | Max. suction lift | 20' v/75' h | Max. discharge head | 50' v /300' h | Connection size | 1.5", 2", 3" or 4" | Solids handling range | 1¼"-2¼" | Power options | Electric, engine, hydraulic and air operated drive systems | 24 |
| Capacity range   | 40-220 GPM  |   |                |            |                   |             |                     |               |                 |                    |                       |         |               |  |    |
| Max. suction lift  | 20' v/75' h   |   |                |            |                   |             |                     |               |                 |                    |                       |         |               |  |    |
| Max. discharge head  | 50' v /300' h   |   |                |            |                   |             |                     |               |                 |                    |                       |         |               |  |    |
| Connection size  | 1.5", 2", 3" or 4"  |   |                |            |                   |             |                     |               |                 |                    |                       |         |               |  |    |
| Solids handling range  | 1¼"-2¼"   |   |                |            |                   |             |                     |               |                 |                    |                       |         |               |  |    |
| Power options  | Electric, engine, hydraulic and air operated drive systems  |   |                |            |                   |             |                     |               |                 |                    |                       |         |               |  |    |

| OVERVIEW  | PRODUCT   | TECHNICAL SPECIFICATIONS   | PAGE           |                |                   |              |                     |               |                 |          |                 |  |                  |  |                  |
|---|---|--|----------------|----------------|-------------------|--------------|---------------------|---------------|-----------------|----------|-----------------|--|------------------|--|------------------|
| <ul style="list-style-type: none"> <li>■ 1½ or 2" connections</li> <li>■ Designed with a check ball to move solids</li> <li>■ Select from five drive options</li> <li>■ Aluminum construction</li> </ul>  | <p><b>Mud Sucker 2B™ Series</b></p>      | <table border="1"> <tr> <td>Capacity range</td> <td>20 GPM</td> </tr> <tr> <td>Max. suction lift</td> <td>20' v /75' h</td> </tr> <tr> <td>Max. discharge head</td> <td>50' v /300' h</td> </tr> <tr> <td>Connection size</td> <td>1½ or 2"</td> </tr> <tr> <td>Solids handling</td> <td>1¼"</td> </tr> <tr> <td>Power Options</td> <td>Electric, engine, hydraulic and air operated drive systems</td> </tr> </table> | Capacity range | 20 GPM         | Max. suction lift | 20' v /75' h | Max. discharge head | 50' v /300' h | Connection size | 1½ or 2" | Solids handling | 1¼"  | Power Options    | Electric, engine, hydraulic and air operated drive systems | <p><b>30</b></p> |
| Capacity range  | 20 GPM  |  |                |                |                   |              |                     |               |                 |          |                 |  |                  |  |                  |
| Max. suction lift   | 20' v /75' h  |  |                |                |                   |              |                     |               |                 |          |                 |  |                  |  |                  |
| Max. discharge head   | 50' v /300' h   |  |                |                |                   |              |                     |               |                 |          |                 |  |                  |  |                  |
| Connection size   | 1½ or 2"  |  |                |                |                   |              |                     |               |                 |          |                 |  |                  |  |                  |
| Solids handling   | 1¼"   |  |                |                |                   |              |                     |               |                 |          |                 |  |                  |  |                  |
| Power Options   | Electric, engine, hydraulic and air operated drive systems  |  |                |                |                   |              |                     |               |                 |          |                 |  |                  |  |                  |
| <ul style="list-style-type: none"> <li>■ 3" connection</li> <li>■ Pump up to 80 GPM</li> <li>■ Ball valve with steel core</li> <li>■ Low ownership costs with premium components</li> <li>■ Cast iron construction</li> </ul>   | <p><b>Mud-Sucker 3B™ Series</b></p>      | <table border="1"> <tr> <td>Max. capacity</td> <td>80 GPM/110 GPM</td> </tr> <tr> <td>Max. suction lift</td> <td>20' v /75' h</td> </tr> <tr> <td>Max. discharge head</td> <td>50' TDH</td> </tr> <tr> <td>Connection size</td> <td>3"</td> </tr> <tr> <td>Solids handling</td> <td>2¼"</td> </tr> <tr> <td>Power options</td> <td>Electric, engine, hydraulic and air operated drive systems</td> </tr> </table>      | Max. capacity  | 80 GPM/110 GPM | Max. suction lift | 20' v /75' h | Max. discharge head | 50' TDH       | Connection size | 3"       | Solids handling | 2¼"  | Power options    | Electric, engine, hydraulic and air operated drive systems | <p><b>34</b></p> |
| Max. capacity   | 80 GPM/110 GPM  |  |                |                |                   |              |                     |               |                 |          |                 |  |                  |  |                  |
| Max. suction lift   | 20' v /75' h  |  |                |                |                   |              |                     |               |                 |          |                 |  |                  |  |                  |
| Max. discharge head   | 50' TDH   |  |                |                |                   |              |                     |               |                 |          |                 |  |                  |  |                  |
| Connection size   | 3"  |  |                |                |                   |              |                     |               |                 |          |                 |  |                  |  |                  |
| Solids handling   | 2¼"   |  |                |                |                   |              |                     |               |                 |          |                 |  |                  |  |                  |
| Power options   | Electric, engine, hydraulic and air operated drive systems  |  |                |                |                   |              |                     |               |                 |          |                 |  |                  |  |                  |
| <ul style="list-style-type: none"> <li>■ 4" connection</li> <li>■ Ball valve with steel core</li> <li>■ Low ownership costs with premium components</li> <li>■ Shown with air chambers</li> <li>■ Cast iron construction</li> </ul>   | <p><b>Mud Sucker 4B™ Series</b></p>     | <table border="1"> <tr> <td>Capacity range</td> <td>110 GPM</td> </tr> <tr> <td>Max. suction lift</td> <td>20' v /75' h</td> </tr> <tr> <td>Max. discharge head</td> <td>50' v /300' h</td> </tr> <tr> <td>Connection size</td> <td>4"</td> </tr> <tr> <td>Power options</td> <td>Electric, engine, hydraulic and air operated drive systems</td> </tr> </table>   | Capacity range | 110 GPM        | Max. suction lift | 20' v /75' h | Max. discharge head | 50' v /300' h | Connection size | 4"       | Power options   | Electric, engine, hydraulic and air operated drive systems | <p><b>40</b></p> |  |                  |
| Capacity range  | 110 GPM   |  |                |                |                   |              |                     |               |                 |          |                 |  |                  |  |                  |
| Max. suction lift   | 20' v /75' h  |  |                |                |                   |              |                     |               |                 |          |                 |  |                  |  |                  |
| Max. discharge head   | 50' v /300' h   |  |                |                |                   |              |                     |               |                 |          |                 |  |                  |  |                  |
| Connection size   | 4"  |  |                |                |                   |              |                     |               |                 |          |                 |  |                  |  |                  |
| Power options   | Electric, engine, hydraulic and air operated drive systems  |  |                |                |                   |              |                     |               |                 |          |                 |  |                  |  |                  |
| <ul style="list-style-type: none"> <li>■ 1½", 2", 3" and 4" double diaphragm ball valve models</li> <li>■ Designed for higher volume solids handling</li> <li>■ Cast iron construction</li> </ul>   | <p><b>Mud Sucker B-DD™ Series</b></p>  | <table border="1"> <tr> <td>Capacity range</td> <td>40-220 GPM</td> </tr> <tr> <td>Max. suction lift</td> <td>20' v /75' h</td> </tr> <tr> <td>Max. discharge head</td> <td>50' v /300' h</td> </tr> <tr> <td>Connection size</td> <td>Up to 4"</td> </tr> <tr> <td>Power options</td> <td>electric, engine, hydraulic and air operated drive systems</td> </tr> </table>  | Capacity range | 40-220 GPM     | Max. suction lift | 20' v /75' h | Max. discharge head | 50' v /300' h | Connection size | Up to 4" | Power options   | electric, engine, hydraulic and air operated drive systems | <p><b>42</b></p> |  |                  |
| Capacity range  | 40-220 GPM  |  |                |                |                   |              |                     |               |                 |          |                 |  |                  |  |                  |
| Max. suction lift   | 20' v /75' h  |  |                |                |                   |              |                     |               |                 |          |                 |  |                  |  |                  |
| Max. discharge head   | 50' v /300' h   |  |                |                |                   |              |                     |               |                 |          |                 |  |                  |  |                  |
| Connection size   | Up to 4"  |  |                |                |                   |              |                     |               |                 |          |                 |  |                  |  |                  |
| Power options   | electric, engine, hydraulic and air operated drive systems  |  |                |                |                   |              |                     |               |                 |          |                 |  |                  |  |                  |
| <ul style="list-style-type: none"> <li>■ Single or double diaphragm models available</li> <li>■ 3" and 4" walking beam style diaphragm pumps</li> <li>■ Proven walking beam style for over 80 years</li> <li>■ Popular with refineries, pulp and paper plants, chemical factories and municipal WWTP's</li> </ul> | <p><b>Mud Sucker BW™ Series</b></p>    | <table border="1"> <tr> <td>Capacity range</td> <td>80-220 GPM</td> </tr> <tr> <td>Max. suction lift</td> <td>20' v /75' h</td> </tr> <tr> <td>Max. discharge head</td> <td>50' v /300' h</td> </tr> <tr> <td>Connection size</td> <td>3" or 4"</td> </tr> <tr> <td>Solids handling</td> <td>2¼"</td> </tr> </table>   | Capacity range | 80-220 GPM     | Max. suction lift | 20' v /75' h | Max. discharge head | 50' v /300' h | Connection size | 3" or 4" | Solids handling | 2¼"  | <p><b>46</b></p> |  |                  |
| Capacity range  | 80-220 GPM  |  |                |                |                   |              |                     |               |                 |          |                 |  |                  |  |                  |
| Max. suction lift   | 20' v /75' h  |  |                |                |                   |              |                     |               |                 |          |                 |  |                  |  |                  |
| Max. discharge head   | 50' v /300' h   |  |                |                |                   |              |                     |               |                 |          |                 |  |                  |  |                  |
| Connection size   | 3" or 4"  |  |                |                |                   |              |                     |               |                 |          |                 |  |                  |  |                  |
| Solids handling   | 2¼"   |  |                |                |                   |              |                     |               |                 |          |                 |  |                  |  |                  |

# Wastecorp Mud Sucker® Applications



## Wastecorp Mud Sucker Applications

### Municipal

- Belt filter press feed
- Centrifuge feed
- Emergency management
- Lagoon dredging
- Portable clean-up pump sets
- Public parks and recreation
- Scum transfer
- Septage transfer
- Thickened sludge

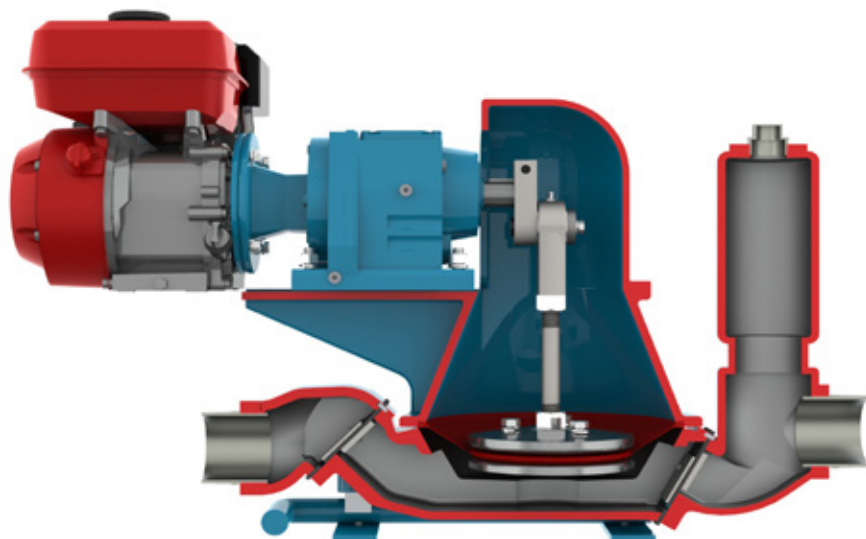
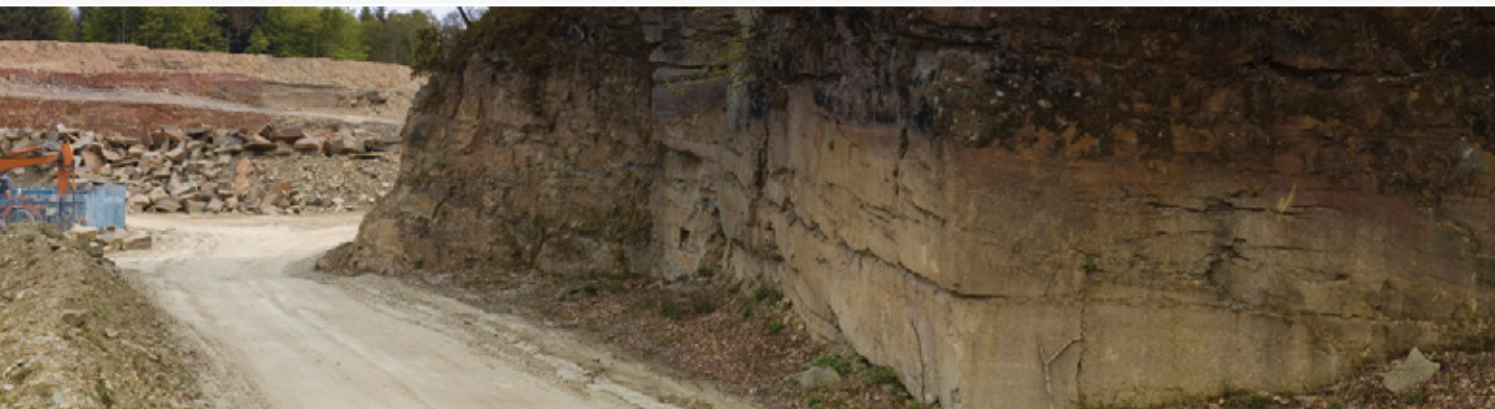
### Industrial

- Adhesive compounds
- Agricultural waste
- Aquaculture
- Biodiesel production
- Chemical filler compounds
- Chicken process waste
- Clay slurry
- Coal slurry
- Construction waste
- Cruise ship waste
- Dredging
- Explosive jelly
- Federal/Military
- Ferric chloride
- Fiberboard filler
- Fish packing
- Fleshings
- Food waste slurry
- Golf course applications
- Hog fat
- Holding tank transfer
- Lagoon cleaning
- Marina sanitation systems
- Metal slurry
- Mining waste
- Mobile dewatering
- Mud
- Paint transfer
- Paper waste
- Pacified chemical sludge
- Railroad sanitation services
- Resort wastewater management
- Ship bilge transfer
- Themed attractions
- Vegetable oil
- Waste oil transfer

### Sample Customers

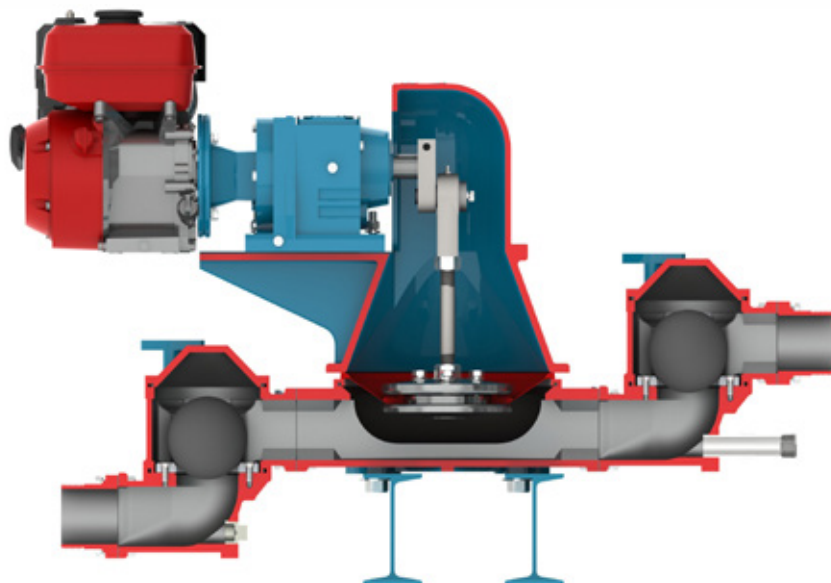
- GM
- BMW
- Tesla
- Frito-lay
- M&M Mars
- White Castle
- Perdue
- US Coast Guard
- United States Army
- Canadian Forces
- CSX Transportation
- Norfolk Southern
- Freeport-McMoRan Inc.
- Wyerhauser
- City of New York
- City of Atlanta
- Maple Leaf Foods
- CN Rail
- Carnival Cruises
- Barrick Gold
- City of Toronto
- Petrobras
- Alcoa
- NRG Energy

## How To Choose Your Mud Sucker®



### FLAPPER VALVE STYLE DIAPHRAGM PUMP

- Designed for intermittent use
- If pumping wastewater or sludge below 15% solids, a flapper valve diaphragm
- Rated for vegetable oil, dirty water, waste oil, biodiesel applications, light slurry transfer, septic pumping, emergency management, remediation, wastewater and many multi-purpose pumping jobs



### BALL VALVE STYLE DIAPHRAGM PUMP

- Designed for intermittent use
- If pumping a liquid that has a solids concentration *greater* than 15%
- Examples include; Return activated sludge (RAS), waste activated sludge (WAS), wastewater, food processing waste, oil sludge, mining waste and liquids with similar properties

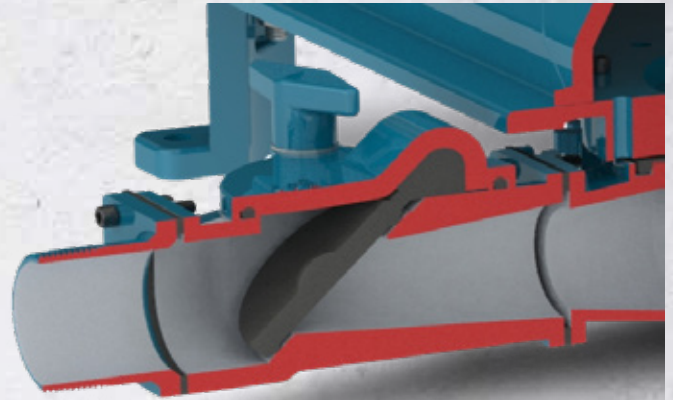
# FLAPPER VALVE STYLE DIAPHRAGM PUMPS

Wastecorp's Mud Sucker flapper valve style diaphragm pumps are one of the most robust flapper or clacks available to the marketplace. The completely redesigned pump product allows you quick access to the flapper area with the simple twist of a knob. Pumps are available from 1½, 2", 3" and 4" styles. Select from single or double diaphragm styles capable of pumping up to 220 GPM

## ROBUST FLAPPERS

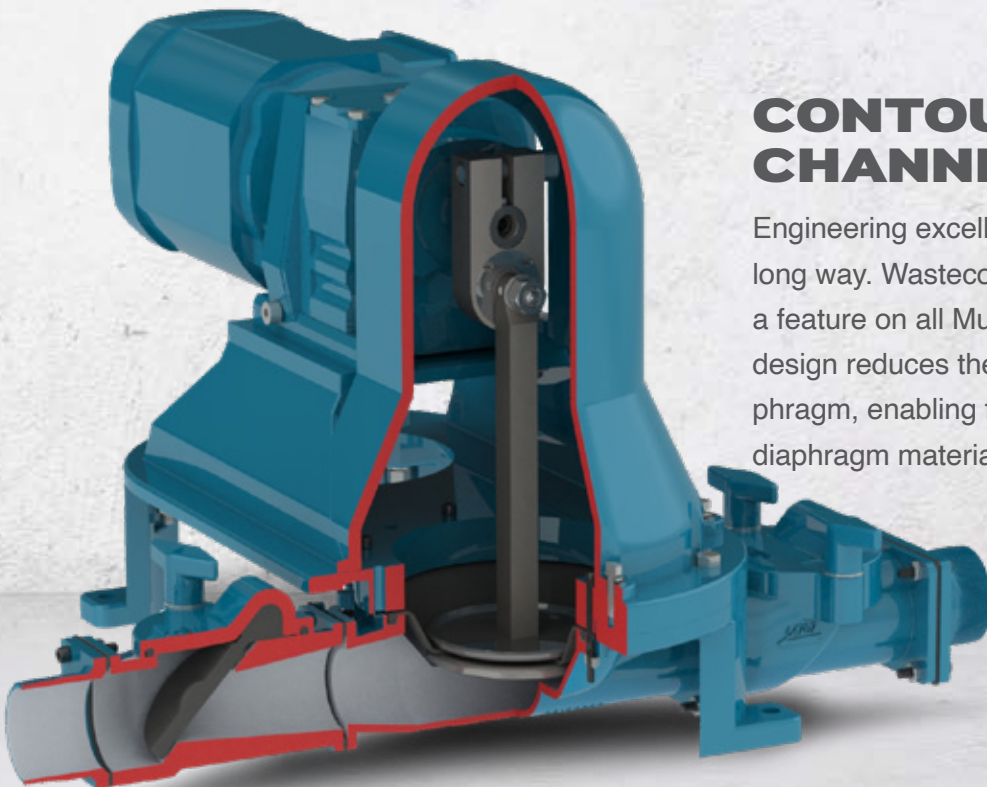
Engineered with a thick EPDM material, Wastecorp Mud Sucker flappers are more capable than ever in moving solids, paper, slurry and over 10,000 different kinds of solids containing liquids.

With a simple twist of the valve cover knobs you can service the pump quickly and get on with your day. This is unlike any other diaphragm pump on the market today.



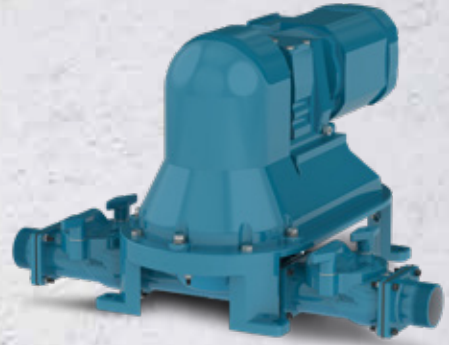
## CONTOURED VELOCITY CHANNEL

Engineering excellence and attention to detail goes a long way. Wastecorp's contoured velocity channel is a feature on all Mud Sucker Diaphragm Pumps. This design reduces the amount of fluid that contacts the diaphragm, enabling fluid to pass below the pump rod and diaphragm material.



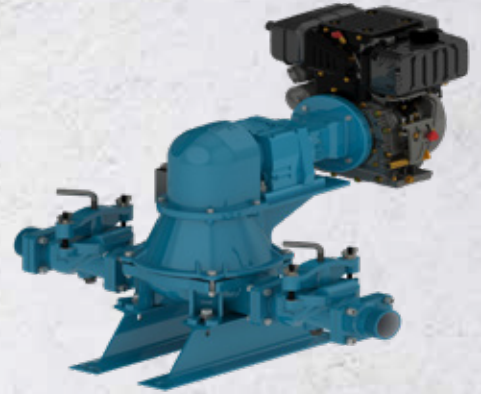
## 2FAC SERIES

America's favorite diaphragm pump is the patented Mud Sucker 2FAC Series. This robust flapper design is capable of pumping up to 20 GPM with your choice of electric, engine, hydraulic or pneumatic drive systems. Select from 1½" or 2" connections.



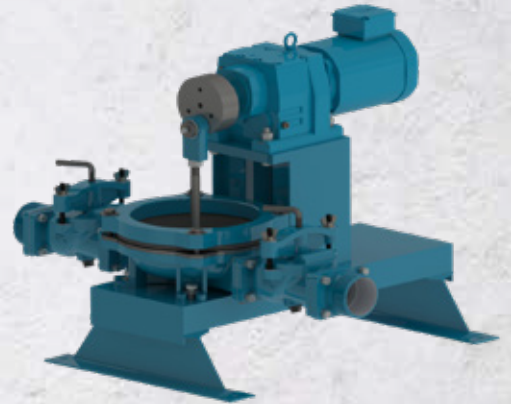
## 3FAC SERIES

If you're looking to pump up to 80 GPM and require a 3" connection, the Mud Sucker 3FAC is for you. You have almost unlimited mounting options including stationary, trailer mounted, tank mounted, dolly mounted, ATV trailer and more.



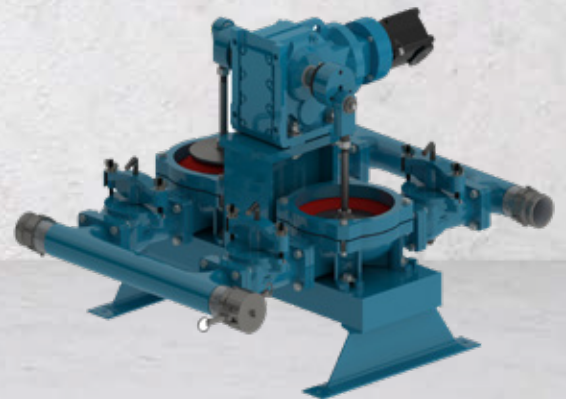
## 4FAC SERIES

The 4" Mud Sucker 4FAC is capable of up to 110 GPM. Select from five drive options with a Pro Series cast iron pump body.

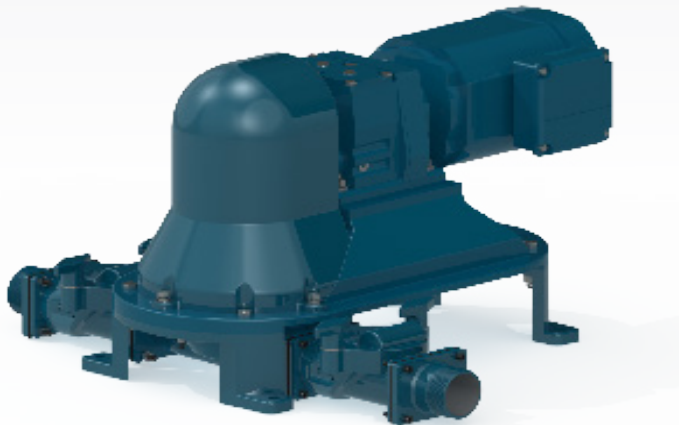


## FAC-DD SERIES

Looking to double your capacity? The Mud Sucker FAC-DD Series is our popular double diaphragm pump series available 1½, 2", 3" and 4" styles. You have the choice of piping arrangement and piping options.



# Wastecorp Mud Sucker® 2FAC-EC™ Series



Completely redesigned flapper valve features easy access to the flappers. No special tools required. Gain access in seconds.

Air chambers available for suction and discharge to reduce pulsation when pumping thinner liquids.



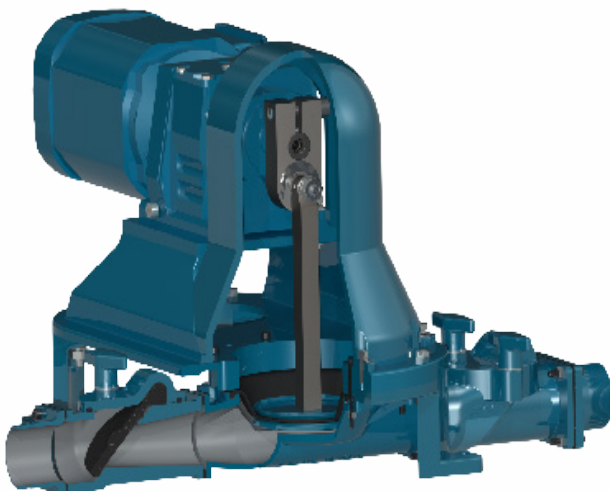
## Performance Range

|                     |  |
|---------------------|--|
| Max. capacity       | 20 GPM   |
| Max. suction lift   | 20' vertical or 75' horizontal (with foot valve) |
| Max. discharge head | 50' vertical or 22 psi max                       |
| Solids handling     | 1½" dia or 50% by volume                         |

## Pump and Motor Specifications

|                              |  |
|------------------------------|--|
| Suction inlet/outlet size    | 1½" or 2" MNPT (optional male camlock) |
| Max. liquid temperature      | 140°F (60°C) continuous                |
| Pump body casing             | Aluminum A356, heat treated            |
| Diaphragm                    | 7" OD fabric reinforced                |
| Flapper Valves               | EPDM                                   |
| Gearbox                      | SEW Eurodrive or Siemens               |
| Crankarm & Pump Rod Assembly | AISI 12L14 carbon steel                |
| Max. Pump Operating Speed    | 70 RPM                                 |

## 2FAC-EC™ Cutaway



## 2FAC-EC™ Series Model Selection

| Model   | Part no. |
|---|----------|
| Three Phase - 1 hp, 1800 RPM/3/60/230/460V                                      | 64722-00 |
| Single Phase - 1 hp, 1800 RPM/1/60/115/230V                                     | 64722-10 |
| Explosion Proof (Three Phase), TEXP 1 hp, 1800 RPM/3/60/230/460V                | 64722-20 |
| Explosion Proof (Single Phase), TEXP 1 hp, 1800 RPM/1/60/115/230V               | 64722-30 |
| Also available with 12V DC Power, 24V DC, gas, diesel, air or hydraulic drives. | Call     |
| Inline configuration  | 65074-00 |

## Accessories

| Description  | Part no. |
|--|----------|
| Pressure sensor assembly (advised)   | 64093-02 |
| Hose, non-collapsible EPDM rubber, 2"x20 ft. Camlocks included.  | 60718-00 |
| Hose, discharge, lay flat, brown, 2"x50 ft   | 51333-10 |
| Air Chamber with tee assembly; Camlock Fittings; Hoses recommended for pumping water to reduce pulsation | 65041-00 |
| Male camlock, 2"   | 60460-00 |
| Wheel mount kit with handles   | 61315-00 |
| SEW Movimot 24V key pad speed control  | 62301-00 |

## Spare Parts Kits

| Description                   | Part no. |
|-------------------------------|----------|
| Basic spare parts kit         | 65039-00 |
| Comprehensive spare parts kit | 60444-00 |





Mud Sucker 2FAC-EC installed at a wastewater pump house. Sump application. Pump transfers up to 20 GPM of wastewater and light solids. Shown with a three phase Siemens electric motor and SEW Eurodrive gear box. Other drive systems available.

## Optional Configurations/Accessories



Float switch and control panels



ATV trolley pump out system



Skid mounted pump out



Trailer mounted pump out



Spare parts kit



Strainers



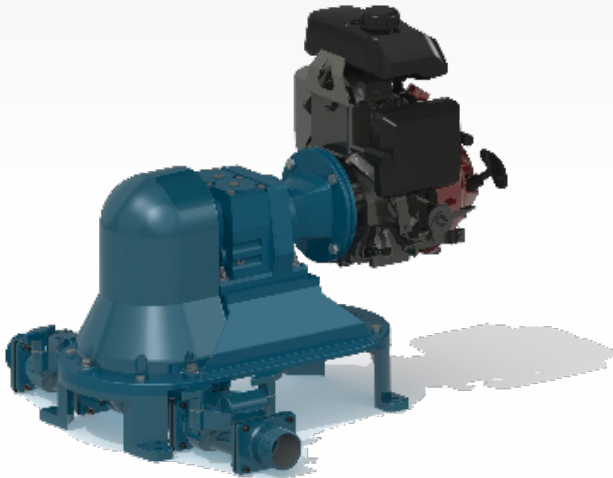
Wheel kit



Three Gulper™ suction tool

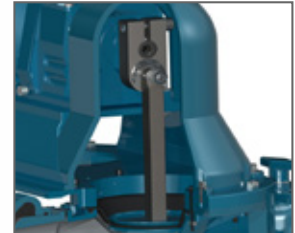
\* Tested based on pumping water. Fluid handling rate may be impacted by quantity of elbows in the system, thickness of fluid, altitude and other factors. Locate pump as close to pumping source as possible.

# Wastecorp Mud Sucker® 2FAC-M™ Series



Completely redesigned flapper valve features easy access to the flappers. No special tools required. Gain access in seconds.

New shaft and crank arm designed for intermittent applications and long life cycles.



## Performance Range

|                     |  |
|---------------------|--|
| Max. capacity       | 20 GPM   |
| Max. suction lift   | 20' vertical or 75' horizontal (with foot valve) |
| Max. discharge head | 50' vertical or 22 psi max                       |
| Solids handling     | 1½" dia or 50% by volume                         |

## 2FAC-M™ Series Model Selection

| Model                                  | Part no. |
|--|----------|
| Gas engine Honda GX 100 Series, 3.5 hp | 64811-00 |
| Diesel engine Hatz, 4.6 hp             | 64811-10 |

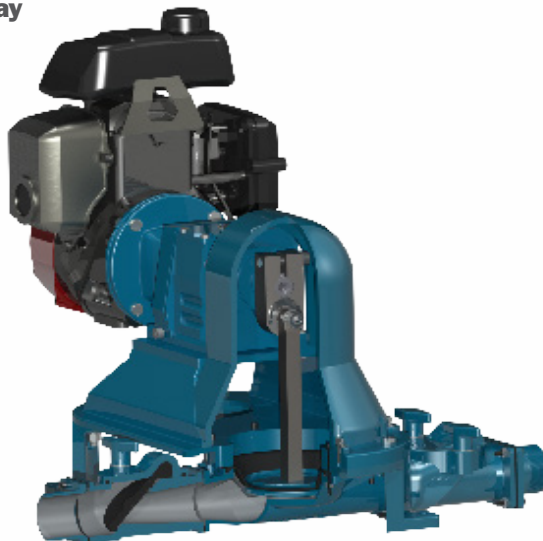
## Pump and Motor Specifications

|                              |  |
|------------------------------|--|
| Suction inlet/outlet size    | 1½" or 2" MNPT (optional male camlock) |
| Max. liquid temperature      | 140°F (60°C) continuous                |
| Pump body casing             | Aluminum A356, heat treated            |
| Diaphragm                    | 7" OD fabric reinforced                |
| Flapper Valves               | EPDM                                   |
| Gearbox                      | SEW Eurodrive or Siemens               |
| Crankarm & Pump Rod Assembly | AISI 12L14 carbon steel                |
| Max. Pump Operating Speed    | 70 RPM                                 |

## 2FAC-M™ Accessories

| Description  | Part no. |
|--|----------|
| Pressure sensor assembly (advised)                               | 64093-02 |
| Hose, non-collapsible, EPDM rubber, 2"x20 ft. Camlocks included. | 60718-00 |
| Hose, discharge, lay flat, brown, 2"x50 ft                       | 51333-10 |
| Air chamber, recommended for pumping water to reduce pulsation   | 65041-00 |
| Male camlock, 2"   | 60460-00 |
| Wheel mount kit with handles                                     | 61315-00 |

## 2FAC-M™ Cutaway



## Spare Parts Kits

| Description                   | Part no. |
|-------------------------------|----------|
| Basic spare parts kit         | 65062-00 |
| Comprehensive spare parts kit | 65060-00 |

\* Tested based on pumping water. Fluid handling rate may be impacted by quantity of elbows in the system, thickness of fluid, altitude and other factors. Locate pump as close to pumping source as possible.



Mud Sucker 2FAC-M with a 3 hp Honda engine. Shown on a military base pumping waste oil. Non-collapsible suction and discharge hoses are available.

### Optional Configurations/Accessories



Trailer mounted pump out



ATV trolley pump out system



Skid mounted pump out



Wheel kit



Spare parts kit



The Gulper™ suction tool

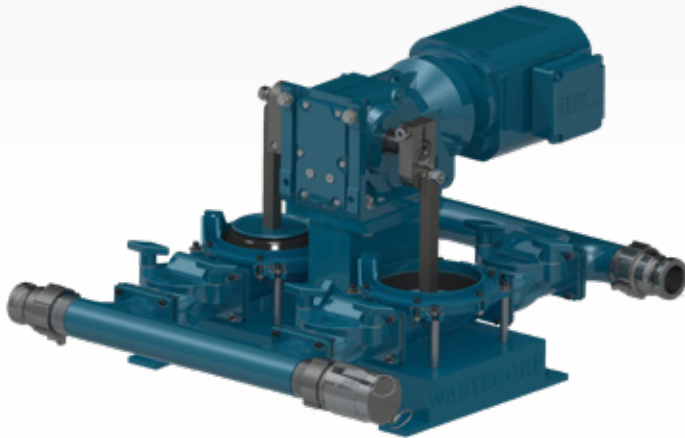


Boxed pump out hose assembly



Universal RV adapter

# Wastecorp Mud Sucker® 2FAC-EC-DD™ Series



Guards removed for clarity. Always operate pump with guards in place.

## Applications

- Municipal, industrial and commercial double pump out applications
- May be mounted to almost any surface including dredging barge, vessel, trailer

## Benefits

- Double the pumping power
- Solids handling up to 1½"
- Designed for multiple pumping tasks
- Custom coatings and configurations for specific applications

## 2FAC-EC-DD™ Series Model Selection

| Model  | Part no. |
|--|----------|
| Three phase. 2HP; 1800RPM; 3/60/230-460V (575V) TEFC                 | 64723-10 |
| Single phase. 2HP; 1800RPM; 1/60/115-230V TEFC                       | 64723-00 |
| Three phase explosion proof. 2HP; 1800RPM; 3/60/230-460V (575V) TEXP | 64723-30 |
| Single phase explosion proof. 2HP; 1800RPM; 1/60/115-230V TEXP       | 64723-20 |

## 2FAC-EC-DD™ Accessories

| Description  | Part no. |
|--|----------|
| Pressure sensor assembly (advised)                               | 64093-02 |
| Hose, non-collapsible, EPDM rubber, 2"x20 ft. Camlocks included. | 60718-00 |
| Hose, discharge, lay flat, brown, 2"x50 ft                       | 51333-10 |
| Speed Control, SEW Movimot, 24V keypad                           | 62302-00 |
| Air chamber  | 64898-00 |
| Starter control panel  | 61491-00 |
| ATV wagon kit/ 2" ball hitch                                     | 61292-00 |

## Spare Parts Kits

| Description                   | Part no. |
|-------------------------------|----------|
| Basic spare parts kit         | 65063-00 |
| Comprehensive spare parts kit | 65061-00 |

\* Tested based on pumping water. Fluid handling rate may be impacted by quantity of elbows in the system, thickness of fluid, altitude and other factors. Locate pump as close to pumping source as possible.

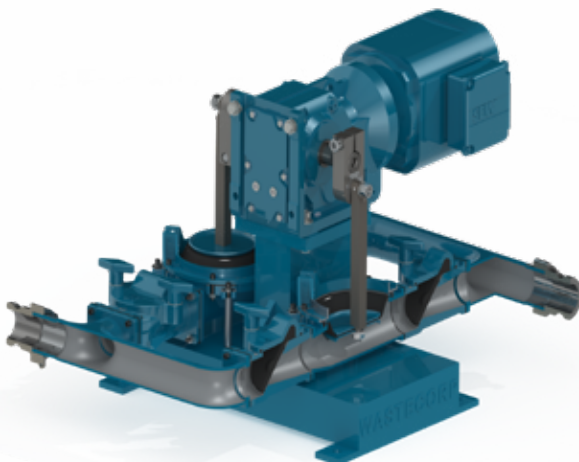
## Performance Range

|                     |                                |
|---------------------|--------------------------------|
| Max. capacity       | 40 GPM                         |
| Max. suction lift   | 20' vertical or 75' horizontal |
| Max. discharge head | 50' vertical or 22 psi max     |
| Solids handling     | 1½" dia or 50% by volume       |

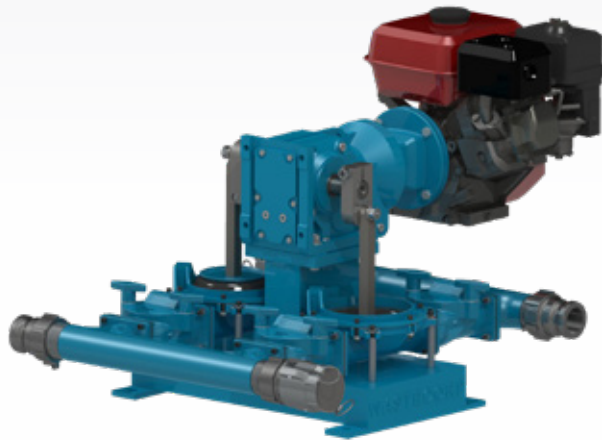
## Pump and Motor Specifications

|                              |                             |
|------------------------------|-----------------------------|
| Suction inlet/outlet size    | 1½" or 2" male camlocks     |
| Max. liquid temperature      | 140°F (60°C) continuous     |
| Pump body casing             | Aluminum A356, heat treated |
| Diaphragm                    | 7" OD fabric reinforced     |
| Flapper Valves               | EPDM                        |
| Gearbox                      | SEW Eurodrive or Siemens    |
| Crankarm & Pump Rod Assembly | AISI 12L14 carbon steel     |
| Max. Pump Operating Speed    | 70 RPM                      |

## 2FAC-EC-DD™ Cutaway



## Wastecorp Mud Sucker® 2FAC-M-DD™ Series



Guards removed for clarity. Always operate pump with guard in place.

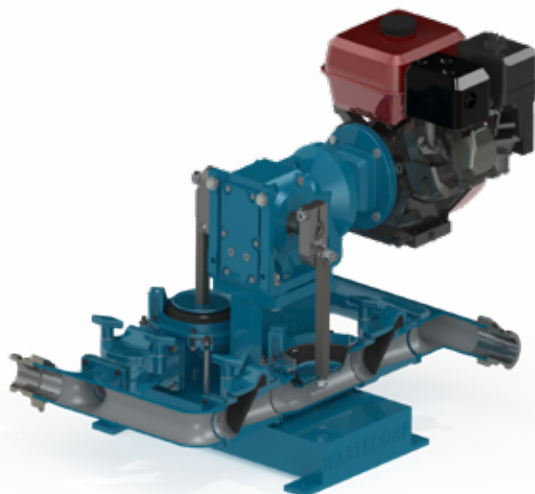
### Performance Range

|                     |                                |
|---------------------|--------------------------------|
| Max. capacity       | 40 GPM                         |
| Max. suction lift   | 20' vertical or 75' horizontal |
| Max. discharge head | 50' vertical or 22 psi max     |
| Solids handling     | 1½" dia or 50% by volume       |

### Pump and Motor Specifications

|                              |  |
|------------------------------|--|
| Suction inlet/outlet size    | 1½" or 2" male camlocks  |
| Max. liquid temperature      | 140°F (60°C) continuous  |
| Pump body casing             | Aluminum A356, heat treated  |
| Diaphragm                    | 7" OD fabric reinforced  |
| Flapper Valves               | EPDM   |
| Gearbox                      | SEW Eurodrive or Siemens - cast iron housing with heat treated gears |
| Crankarm & Pump Rod Assembly | AISI 12L14 carbon steel  |
| Max. Pump Operating Speed    | 70 RPM   |

### 2FAC-M-DD™ Cutaway



### Applications

- Municipal, industrial and commercial double pump out applications
- May be mounted to almost any surface including dredging barge, vessel or trailers

### Benefits

- Gas or diesel engines
- Electric start feature
- Multiple piping arrangements available
- Custom coatings and configurations for specific applications

### 2FAC-M-DD™ Series Model Selection

| Model                             | Part no. |
|-----------------------------------|----------|
| 5 HP 3600 RPM Honda gas (e-start) | 64814-00 |
| 4.6 HP 3600 RPM Hatz (e-start)    | 64814-10 |

### 2FAC-M-DD™ Accessories

| Description   | Part no. |
|---|----------|
| Pressure sensor assembly (advised)                                  | 64093-02 |
| Hose, non-collapsible EPDM rubber, 2"x20 ft. Camlocks included.     | 60718-00 |
| Hose, discharge, lay flat, brown, 2"x50 ft                          | 51333-10 |
| Air chamber assembly (pulsation dampening for pumping thin liquids) | 64898-00 |
| ATV wagon kit/ 2" ball hitch  | 61292-00 |

### Spare Parts Kits

| Description                   | Part no. |
|-------------------------------|----------|
| Basic spare parts kit         | 65063-00 |
| Comprehensive spare parts kit | 65061-00 |

# Wastecorp Mud Sucker® 3FA-EC™ Series



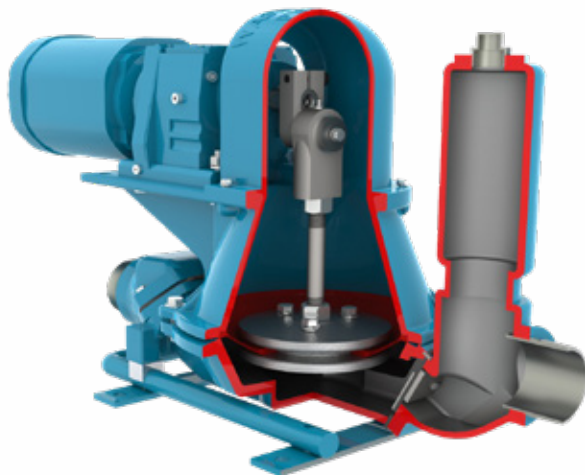
## Performance Range

|                     |                                 |
|---------------------|---------------------------------|
| Max. capacity       | 80 GPM                          |
| Max. suction lift   | 20' vertical or 75' horizontal  |
| Max. discharge head | 50' vertical or 300' horizontal |
| Solids handling     | 2¼" dia or 50% by volume        |

## Pump Specifications

|                           |   |
|---------------------------|---|
| Suction inlet/outlet size | 3"x3" female threaded, (optional camlock) |
| Max. liquid temperature   | 140°F (60°C) continuous*                  |
| Pump body casing          | Aluminum A356, heat treated               |
| Diaphragm                 | 13" OD TPE Santoprene® severe duty        |
| Flapper valves            | HNBR w/ reinforced                        |
| Gear reducer              | SEW Eurodrive/Siemens                     |
| Crankarm                  | AISI 1045 HR steel                        |
| Pump rod                  | AISI 12L14 carbon steel                   |
| Pump operating speed      | 60 RPM                                    |

## 3FA-EC™ Cutaway



## Applications

- Heavy duty pumping applications including industrial, oil sludge, municipal wastewater.
- Most higher solids transfer applications.

## 3FA-EC™ Series Model Selection

| Model   | Part no. |
|---|----------|
| Three phase. 3HP/1800RPM/3/60/230-460V (or 575V)                  | 64326-00 |
| Single phase. 3HP/1800RPM/1/60/115-230V                           | 64326-10 |
| Three phase explosion proof. 3HP/1800RP-M/3/60/230-460V (or 575V) | 61640-20 |
| Single phase explosion proof. 3HP/1800RP-M/1/60/115-230V TEXP     | 64326-30 |
| Perpendicular piping orientation                                  | 65082-00 |

## 3FA-EC™ Accessories

| Description   | Part no. |
|---|----------|
| Pressure sensor assembly (advised)                                | 64093-02 |
| Hose, non-collapsible BLK, EPDM rubber, 3"x20'. Camlocks included | 60723-00 |
| Hose, discharge, lay flat, brown, 3"x50'                          | 51334-10 |
| Wheel kit (inline style)  | 61316-00 |
| Wheel kit (perpendicular style)                                   | 62732-00 |
| Air chamber (discharge side)                                      | 64970-00 |
| ATV Wagon kit (2" ball hitch)                                     | 64658-10 |
| Wheel kit (dolly style)   | 62732-00 |
| Speed Control, SEW Movimot, 24V keypad                            | 62304-00 |
| Starter Control Panel w/NEMA 12 protection                        | 61492-00 |
| Transformer start/estop, w/ Nema 12 overload protection           | 61491-00 |

## Spare Parts Kits

| Description                   | Part no. |
|-------------------------------|----------|
| Basic spare parts kit         | 61287-00 |
| Comprehensive spare parts kit | 61286-00 |



Mud Sucker 3FA-EC with a 3 hp Honda engine with up to 80 GPM fluid handling capabilities\*. Shown on a military base pumping waste oil. Non-collapsible suction and discharge hoses are available.

### Optional Configurations/Accessories



Dolly style wheel kit



ATV tow package



Single phase, explosion proof motor or diesel base



Lifting cage



Control Panel/speed reduction



Air chambers/pulsation control



Containment system



Suction/discharge hose

\* Tested based on pumping water. Fluid handling rate may be impacted by quantity of elbows in the system, thickness of fluid, altitude

# Wastecorp Mud Sucker® 3FA-M™ Series



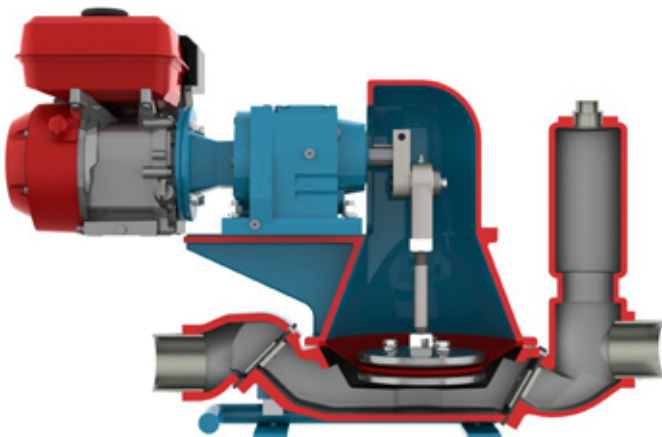
## Performance Range

|                     |                                 |
|---------------------|---------------------------------|
| Max. capacity       | 80 GPM                          |
| Max. suction lift   | 20' vertical or 75' horizontal  |
| Max. discharge head | 50' vertical or 300' horizontal |
| Solids handling     | 2¼" dia or 50% by volume        |

## Pump Specifications

|                           |  |
|---------------------------|--|
| Suction inlet/outlet size | 3"x3" (female threaded) optional camlock |
| Max. liquid temperature   | 140°F (60°C) continuous*                 |
| Pump body casing          | Aluminum A356, heat treated              |
| Diaphragm                 | 13" OD TPE Santoprene® severe duty       |
| Flapper valves            | HNBR w/ reinforced tire cord             |
| Gear reducer              | SEW Eurodrive/Siemens                    |
| Crankarm                  | AISI 1045 HR Steel                       |
| Pump rod                  | AISI 12L14 Carbon Steel                  |
| Pump operating speed      | 60 RPM                                   |

## 3FA-M™ Cutaway



## Applications

- Heavy duty pumping applications including industrial, oil sludge, municipal wastewater.
- Most higher solids transfer applications.

## Benefits

- Premium SEW Eurodrive or Siemens gear boxes.
- Transfer spherical solids up to 2¼".

## 3FA-M™ Series Model Selection

| Model  | Part no. |
|--|----------|
| 3FA-M with Honda gas engine w/gear reducer (e-start)                                       | 64363-05 |
| 3FA-M with Kohler/Yanmar LV diesel engine with gear reducer (e-start) inline piping        | 64363-10 |
| 3FA-M with Honda gas engine perpendicular piping   | 64363-25 |
| 3FA-M with Kohler/Yanmar LV diesel engine with gear reducer (e-start) perpendicular piping | 64363-30 |

## 3FA-EC™ Accessories

| Description  | Part no. |
|--|----------|
| Hose, non-collapsible, EPDM rubber, 3"x20'. Camlocks included. | 60723-00 |
| Hose, discharge, lay flat, brown, 3"x50'.                      | 51334-10 |
| Wheel kit (perpendicular style)                                | 62732-00 |
| Wheel kit (inline style)                                       | 61316-00 |
| Professional wagon kit, 16" pneumatic tires                    | 64658-10 |
| Air chamber (discharge side). Pulsation dampening              | 61605-00 |
| Male camlock   | 60466-00 |

## Spare Parts Kits

| Description                   | Part no. |
|-------------------------------|----------|
| Basic spare parts kit         | 61287-00 |
| Comprehensive spare parts kit | 61286-00 |





Mud Sucker 3FAC-M (stationary model) being used for a lagoon dredging operation. Pump transfers up to 80 GPM of wastewater and solids. Shown with an e-start Honda engine. Wheel kits, accessories and alternate configurations available.

## Optional Configurations/Accessories



Dolly style wheel kit



ATV tow package



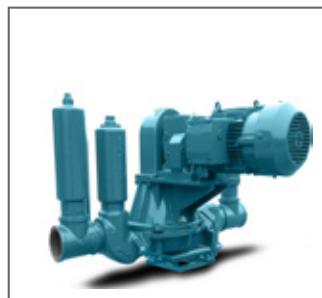
Trailer mounted package



Lifting cage



Containment system



Air chambers/pulsation control



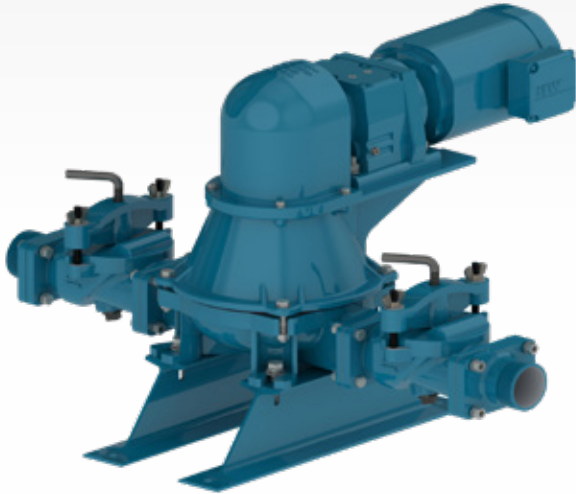
OEM Spare Parts Kit



Suction hose/discharge hose

# Wastecorp Mud Sucker® 3FAC-EC™ Series

**NEW!**



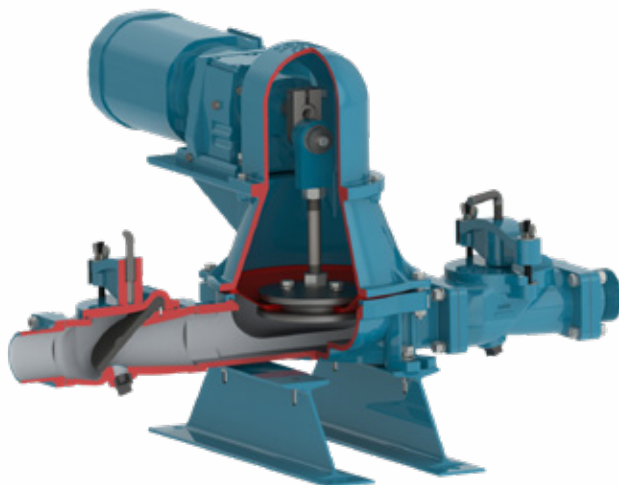
## Performance Range

|                     |                                 |
|---------------------|---------------------------------|
| Max. capacity       | 80 GPM                          |
| Max. suction lift   | 20' vertical or 75' horizontal  |
| Max. discharge head | 50' vertical or 300' horizontal |
| Solids handling     | 2¼" dia or 50% by volume        |

## Pump Specifications

|                           |                                    |
|---------------------------|------------------------------------|
| Suction inlet/outlet size | 3"x3" (MNPT) optional camlock      |
| Max. liquid temperature   | 140°F (60°C) continuous*           |
| Pump body casing          | Aluminum A356, heat treated        |
| Diaphragm                 | 13" OD TPE Santoprene® severe duty |
| Check valves              | EPDM                               |
| Gear reducer              | SEW Eurodrive/Siemens              |
| Crankarm                  | AISI 1045 HR steel                 |
| Pump rod                  | AISI 12L14 carbon steel            |
| Pump operating speed      | 60 RPM                             |

## 3FAC-EC™ Cutaway



## Applications

- Heavy duty pumping applications including industrial, oil sludge, municipal wastewater.
- Most higher solids transfer applications.

## Benefits

- Cast iron pump body
- Advanced flapper technology system
- Inspect suction and discharge area in minutes

## 3FAC-EC™ Series Model Selection

| Model   | Part no. |
|---|----------|
| Three phase. 3HP/1800RPM/3/60/230-460V (or 575V)                  | 64994-10 |
| Single phase. 3HP/1800RPM/1/60/115-230V                           | 64994-00 |
| Three phase explosion proof. 3HP/1800RP-M/3/60/230-460V (or 575V) | 64994-70 |
| Single phase explosion proof. 3HP/1800RP-M/1/60/115-230V TEXP     | 64994-60 |

## 3FAC-EC™ Accessories

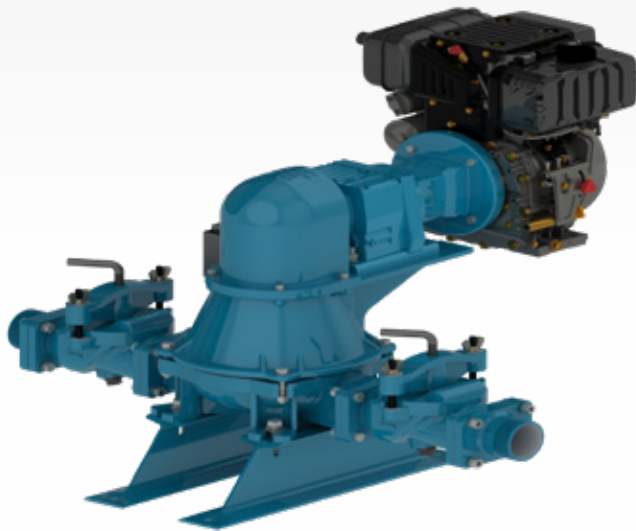
| Description  | Part no. |
|--|----------|
| Pressure sensor assembly (Advised)                                 | 64093-02 |
| Hose, non-collapsible BLK, EPDM rubber, 3"x20'. Camlocks included. | 60723-00 |
| Hose, discharge, lay flat, brown, 3"x50'.                          | 51334-10 |
| Male camlock 3", aluminum  | 60270-00 |
| Professional Wagon kit, 16" pneumatic tires                        | 64658-10 |
| Speed Control, SEW Movimot, 24V keypad                             | 62304-00 |
| Starter Control Panel w/NEMA 12 protection                         | 61492-00 |
| Air chamber, pulsation dampening                                   | 64970-00 |

## Spare Parts Kits

| Description                   | Part no. |
|-------------------------------|----------|
| Basic spare parts kit         | 65065-00 |
| Comprehensive spare parts kit | 65064-00 |

\* Tested based on pumping water. Fluid handling rate may be impacted by quantity of elbows in the system, thickness of fluid, altitude and other factors. Locate pump as close to pumping source as possible.

# Wastecorp Mud Sucker® 3FAC-M™ Series

**NEW!**


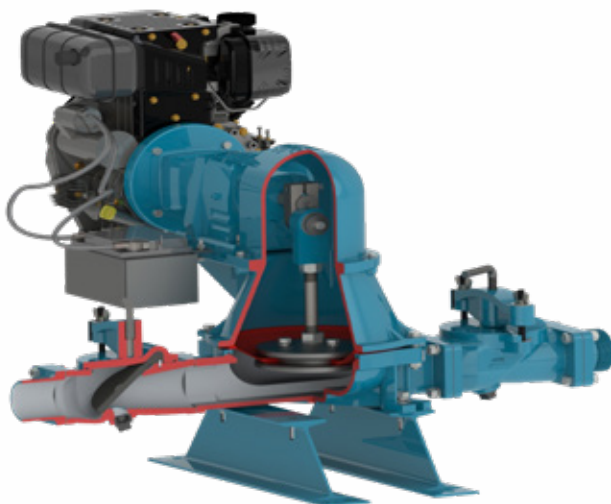
## Performance Range

|                     |                                 |
|---------------------|---------------------------------|
| Max. capacity       | 80 GPM                          |
| Max. suction lift   | 20' vertical or 75' horizontal  |
| Max. discharge head | 50' vertical or 300' horizontal |
| Solids handling     | 2¼" dia or 50% by volume        |

## Pump Specifications

|                           |                                    |
|---------------------------|------------------------------------|
| Suction inlet/outlet size | 3"x3" (female threaded)            |
| Max. liquid temperature   | 140°F (60°C) continuous*           |
| Pump body casing          | Aluminum A356, heat treated        |
| Diaphragm                 | 13" OD TPE Santoprene® severe duty |
| Check valves              | EPDM                               |
| Gear reducer              | SEW Eurodrive/Siemens              |
| Crankarm                  | AISI 1045 HR steel                 |
| Pump rod                  | AISI 12L14 carbon steel            |
| Pump operating speed      | 60 RPM                             |

## 3FAC-M™ Cutaway



## Applications

- Professional grade applications
- Operating cycles beyond 4 hours per day
- Government, industrial, commercial

## Benefits

- Cast iron pump body
- Advanced flapper technology system
- Inspect suction and discharge area in minutes

## 3FAC-M™ Series Model Selection

| Model   | Part no. |
|---|----------|
| 6.5 hp Honda gas engine w/gear reducer (e-start)                  | 64994-20 |
| 6.5 hp Kohler/Yanmar LV diesel engine with gear reducer (e-start) | 64994-30 |

## 3FAC-M™ Accessories

| Description  | Part no. |
|--|----------|
| Hose, non-collapsible, EPDM rubber, 3"x20'. Camlocks included. | 60723-00 |
| Hose, discharge, lay flat, brown, 3"x50'.                      | 51334-10 |
| Male camlock, 3"   | 60270-00 |
| Professional Wagon kit, 16" pneumatic tires                    | 64658-10 |
| Air chamber (discharge side). Pulsation dampening              | 64970-00 |

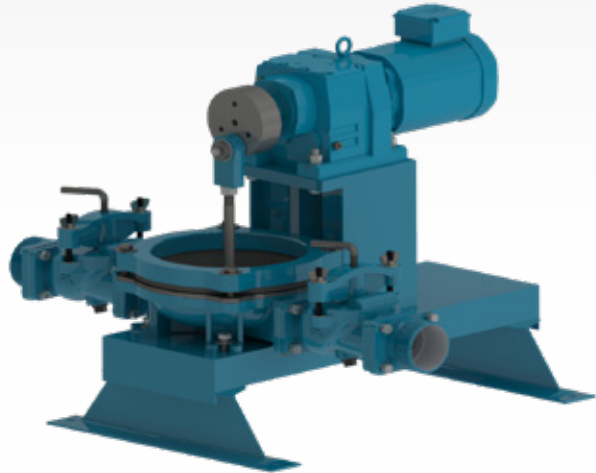
## Spare Parts Kits

| Description                   | Part no. |
|-------------------------------|----------|
| Basic spare parts kit         | 65065-00 |
| Comprehensive spare parts kit | 65064-00 |

\* Tested based on pumping water. Fluid handling rate may be impacted by quantity of elbows in the system, thickness of fluid, altitude and other factors. Locate pump as close to pumping source as possible.

# Wastecorp Mud Sucker® 4FAC-EC™ Series

**NEW!**



## Applications

- Heavy duty pumping applications including industrial, oil sludge, municipal wastewater.
- Most higher solids transfer applications.

## Benefits

- 4" connection
- Cast iron pump body
- Advanced flapper technology system
- Inspect suction and discharge area in minutes

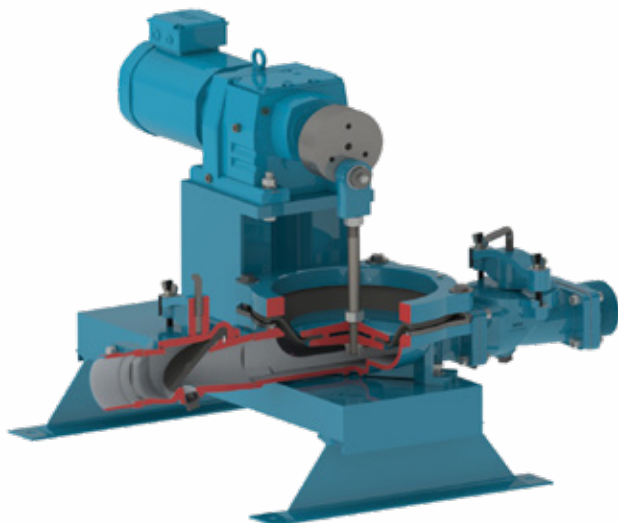
## Performance Range

|                     |                                 |
|---------------------|---------------------------------|
| Max. capacity       | 110 GPM                         |
| Max. suction lift   | 20' vertical or 75' horizontal  |
| Max. discharge head | 50' vertical or 300' horizontal |
| Solids handling     | 2¼" dia or 50% by volume        |

## Pump Specifications

|                           |  |
|---------------------------|--|
| Suction inlet/outlet size | 4"x4" MNPT (optional camlock or ANSI flange) |
| Max. liquid temperature   | 140°F (60°C) continuous*                     |
| Pump body casing          | Cast iron ASTM A48                           |
| Diaphragm                 | 14¾" OD TPE Santoprene®                      |
| Check valves              | EPDM   |
| Gear reducer              | SEW Eurodrive/Siemens                        |
| Drive hub                 | AISI 12L14 carbon steel                      |
| Pump rod                  | AISI 12L14 carbon steel                      |
| Pump operating speed      | 70 RPM                                       |

## 4FAC-EC™ Cutaway



## 4FAC-EC™ Series Model Selection

| Model   | Part no. |
|---|----------|
| Three phase. 5 HP/1800RPM/3/60/230-460V (or 575V)                 | 64745-00 |
| Single phase. 5 HP/1800RPM/1/60/115-230V                          | 64745-10 |
| Three phase explosion proof. 5 HP/1800RPM/3/60/230-460V (or 575V) | 64745-20 |
| Single phase explosion proof. 5 HP/1800RPM/1/60/115-230V TEXP     | 64745-30 |

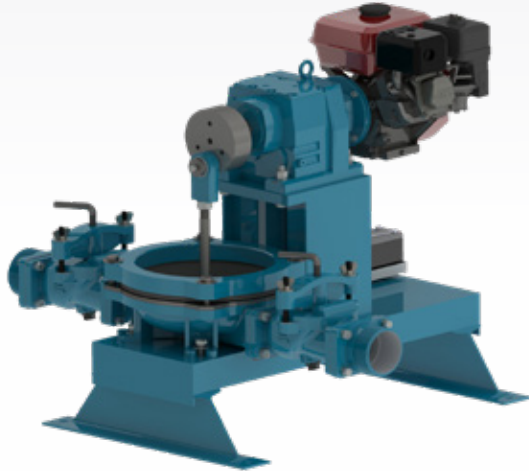
## 4FAC-EC™ Accessories

| Description  | Part no. |
|--|----------|
| Pressure sensor assembly (Advised)                             | 64093-02 |
| Hose, non-collapsible, EPDM rubber, 4"x25'. Camlocks included. | 60729-00 |
| Hose, discharge, lay flat, brown, 4"x50'.                      | 51335-10 |
| Camlock, 4", male  | 60469-00 |
| Professional Wagon kit, 16" pneumatic tires                    | 61292-00 |
| Starter control panel  | Call     |
| Air chamber with FNPT TEE                                      | 65211-00 |
| Air chamber with ANSI manifold                                 | 63948-00 |

## Spare Parts Kits

| Description                   | Part no. |
|-------------------------------|----------|
| Basic spare parts kit         | 65213-00 |
| Comprehensive spare parts kit | 65212-00 |

# Wastecorp Mud Sucker® 4FAC-M™ Series

**NEW!**


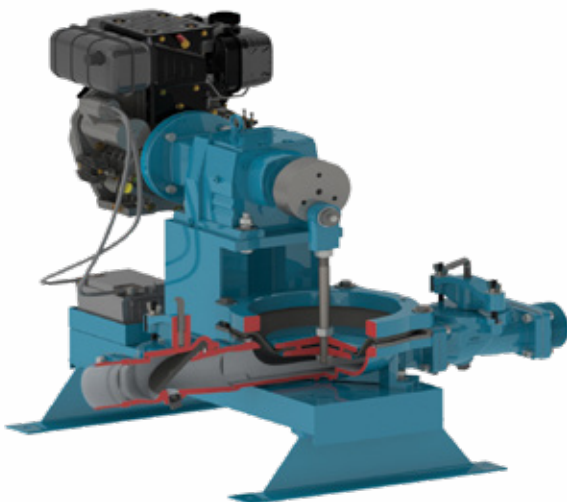
## Performance Range

|                     |                                 |
|---------------------|---------------------------------|
| Max. capacity       | 110 GPM                         |
| Max. suction lift   | 20' vertical or 75' horizontal  |
| Max. discharge head | 50' vertical or 300' horizontal |
| Solids handling     | 2¼" dia or 50% by volume        |

## Pump Specifications

|                           |  |
|---------------------------|--|
| Suction inlet/outlet size | 4"x4" MNPT (optional camlock or ANSI flange) |
| Max. liquid temperature   | 140°F (60°C) continuous*                     |
| Pump body casing          | Cast iron ASTM A48                           |
| Diaphragm                 | 14¾" OD TPE Santoprene®                      |
| Check valves              | EPDM   |
| Gear reducer              | SEW Eurodrive/Siemens                        |
| Drive hub                 | AISI 12L14 carbon steel                      |
| Pump rod                  | AISI 12L14 carbon steel                      |
| Pump operating speed      | 70 RPM                                       |

## 4FAC-M™ Cutaway



## Applications

- Heavy duty pumping applications including industrial, oil sludge, municipal wastewater.
- Most higher solids transfer applications.

## Benefits

- 4" connection
- Cast iron pump body
- Advanced flapper technology system
- Inspect suction and discharge area in minutes

## 4FAC-M™ Series Model Selection

| Model  | Part no. |
|--|----------|
| 9 hp Honda gas engine w/gear reducer (e-start) | 64751-00 |
| 9 hp Kohler diesel engine (e-start)            | 64751-10 |

## 4FAC-M™ Accessories

| Description  | Part no. |
|--|----------|
| Camlock, 4" male   | 64093-02 |
| Hose, non-collapsible, EPDM rubber, 3"x20'. Camlocks included. | 60723-00 |
| Hose, discharge, lay flat, brown, 3"x50'.                      | 51334-10 |
| Professional wagon kit, 16" pneumatic tires                    | 61292-00 |
| Air chamber with FNPT TEE                                      | 65211-00 |
| Air chamber with ANSI manifold                                 | 63948-00 |
| Strainer, 4" sq. hole  | 31760-00 |

## Spare Parts Kits

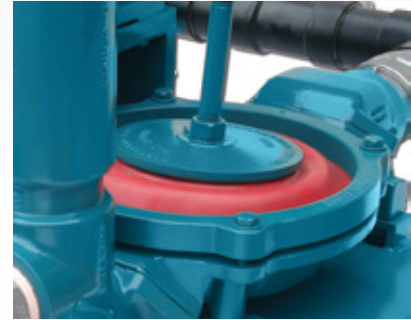
| Description                   | Part no. |
|-------------------------------|----------|
| Basic spare parts kit         | 65213-00 |
| Comprehensive spare parts kit | 65212-00 |





*Mud Sucker B-DD Series installation at a wastewater treatment plant, primary sludge pumping operations. With steel core check balls, these double diaphragm pumps are capable of pumping the tough stuff with limited required maintenance and spare parts costs.*

# Wastecorp Mud Sucker® 3FA-EC-DD™ Series



Mud Sucker DD Series Santoprene diaphragms are designed for increase wear resistance when pumping select chemicals and petrochemicals.

## Performance Range

|                     |                                 |
|---------------------|---------------------------------|
| Max. capacity       | 160 GPM                         |
| Max. suction lift   | 20' vertical or 75' horizontal  |
| Max. discharge head | 50' vertical or 300' horizontal |
| Solids handling     | 2¼" dia or 50% by volume        |

## Pump Specifications

|                           |                             |
|---------------------------|-----------------------------|
| Suction inlet/outlet size | 3" male camlocks            |
| Max. liquid temperature   | 140°F (60°C) continuous*    |
| Pump body casing          | Aluminum A356, heat treated |
| Diaphragm                 | 13" OD TPE Santoprene®      |
| Flapper valves            | HNBR reinforced             |
| Gear reducer              | SEW Eurodrive/Siemens       |
| Crankarm                  | AISI 1045 HR steel          |
| Pump rod                  | AISI 12L14 carbon steel     |
| Pump operating speed      | 66 RPM                      |

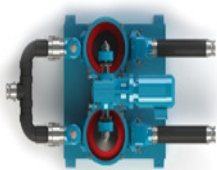
## 3FA-EC-DD™ Series Model Selection

| Model   | Part no. |
|---|----------|
| Three phase. 5 HP/1800RPM/3/60/230-460V (or 575V)                 | 64131-00 |
| Single phase. 5 HP/1800RPM/1/60/115-230V                          | 64131-10 |
| Three phase explosion proof. 5 HP/1800RPM/3/60/230-460V (or 575V) | 64131-20 |
| Single phase explosion proof. 5 HP/1800RPM/1/60/115-230V TEXP     | 64131-30 |

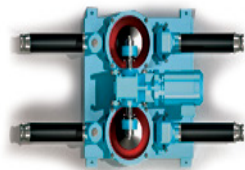
## 3FA-EC-DD™ Accessories

| Description  | Part no. |
|--|----------|
| Pressure sensor assembly (advised)                               | 64093-02 |
| Hose, non-collapsible, EPDM rubber, 3"x20'. Camlocks included.   | 60723-00 |
| Hose, discharge, lay flat, brown, 3"x50'                         | 51334-10 |
| Air chamber assembly, pulsation dampening                        | 64970-00 |
| Professional ATV Wagon kit, 16" pneumatic tires, 2200 lb chassis | 61750-00 |
| Speed Control, SEW Movimot, 24V keypad                           | 62305-00 |
| Starter Control Panel w/NEMA 12 protection                       | 61744-00 |

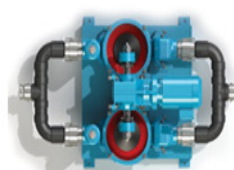
## Available Piping Configurations



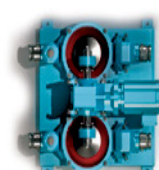
Single suction with double outlet



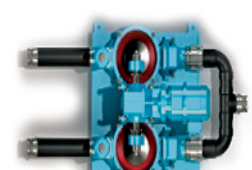
Double suction with double outlet



Single suction with single outlet



Standard Design



Double suction with single outlet



## Wastecorp Mud Sucker® 3FA-M-DD™ Series



Diesel engine model shown.

### Performance Range

|                     |                                 |
|---------------------|---------------------------------|
| Max. capacity       | 160 GPM                         |
| Max. suction lift   | 20' vertical or 75' horizontal  |
| Max. discharge head | 50' vertical or 300' horizontal |
| Solids handling     | 2¼" dia or 50% by volume        |

### Pump Specifications

|                           |                             |
|---------------------------|-----------------------------|
| Suction inlet/outlet size | 3" male camlocks            |
| Max. liquid temperature   | 140°F (60°C) continuous*    |
| Pump body casing          | Aluminum A356, heat treated |
| Diaphragm                 | 13" OD TPE Santoprene®      |
| Flapper valves            | HNBR reinforced             |
| Gear reducer              | SEW Eurodrive/Siemens       |
| Crankarm                  | AISI 1045 HR steel          |
| Pump rod                  | AISI 12L14 carbon steel     |
| Pump operating speed      | 66 RPM                      |

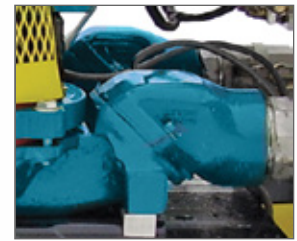


All Wastecorp Mud Sucker double diaphragm pumps are available with a safety package. Panels may be locked if the pump is located outdoors for added security and may be opened for full access to pump interior.



Heavy duty shaft and crank arm designed for heavy use applications and long life cycles.

Dual contoured velocity channel is an exclusive Wastecorp innovation. Pumping tough slurries has never been easier with the patented Mud Sucker double diaphragm series.



### 3FA-M-DD™ Series Model Selection

| Model  | Part no. |
|--|----------|
| 9 hp Honda gas engine w/gear reducer (e-start) | 64131-40 |
| 9.1 hp Kohler diesel engine (e-start)          | 64131-50 |

### 3FA-M-DD™ Accessories

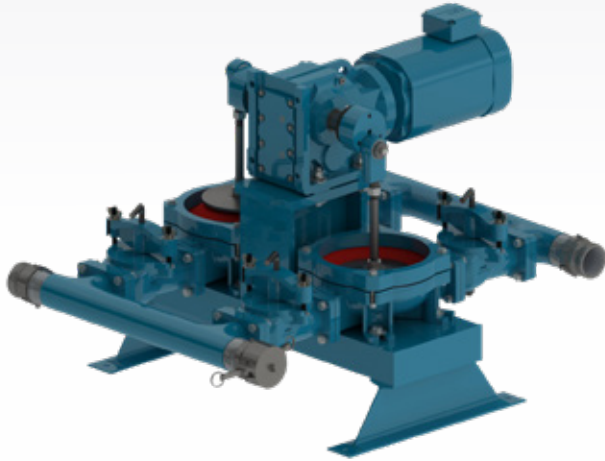
| Description  | Part no. |
|--|----------|
| Strainer, 3" FNPT, square hole                                     | 31345-00 |
| Hose, non-collapsible BLK, EPDM rubber, 3"x20'. Camlocks included. | 60723-00 |
| Hose, discharge, lay flat, brown, 3"x50'                           | 51334-10 |
| Air chamber assembly   | 64970-00 |
| Professional ATV Wagon kit, 16" pneumatic tires, 2200 lb chassis   | 61750-00 |

### Spare Parts Kits

| Description                   | Part no. |
|-------------------------------|----------|
| Basic spare parts kit         | 63198-00 |
| Comprehensive spare parts kit | 63199-00 |

# Wastecorp Mud Sucker® 3FAC-EC-DD™ Series

**NEW!**



## Applications

- Heavy duty pumping applications including industrial, oil sludge, municipal wastewater.
- Most higher solids transfer applications

## Benefits

- Double the capacity
- Cast iron pump body
- Advanced flapper technology system
- Inspect suction and discharge area in minutes
- Also available with air motor or hydraulic drive

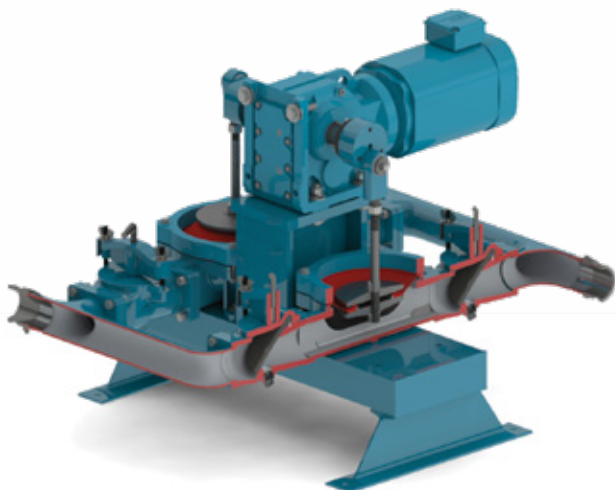
## Performance Range

|                     |                                 |
|---------------------|---------------------------------|
| Max. capacity       | 160 GPM                         |
| Max. suction lift   | 20' vertical or 75' horizontal  |
| Max. discharge head | 50' vertical or 300' horizontal |
| Solids handling     | 2¼" dia or 50% by volume        |

## Pump Specifications

|                           |                          |
|---------------------------|--------------------------|
| Suction inlet/outlet size | 3" MNPT                  |
| Max. liquid temperature   | 140°F (60°C) continuous* |
| Pump body casing          | Cast iron ASTM A48       |
| Diaphragm                 | 13" OD TPE Santoprene®   |
| Check valves              | EPDM                     |
| Gear reducer              | SEW Eurodrive/Siemens    |
| Crankarm                  | AISI 1045 HR steel       |
| Pump rod                  | AISI 12L14 carbon steel  |
| Pump operating speed      | 66 RPM                   |

## 3FAC-EC-DD™ Cutaway



## 3FAC-EC-DD™ Series Model Selection

| Model   | Part no. |
|---|----------|
| Three phase. 5 HP/1800RPM/3/60/230-460V (or 575V)                 | 64995-00 |
| Single phase. 5 HP/1800RPM/1/60/115-230V                          | 64995-10 |
| Three phase explosion proof. 5 HP/1800RPM/3/60/230-460V (or 575V) | 64995-60 |
| Single phase explosion proof. 5 HP/1800RPM/1/60/115-230V TEXP     | 64995-70 |

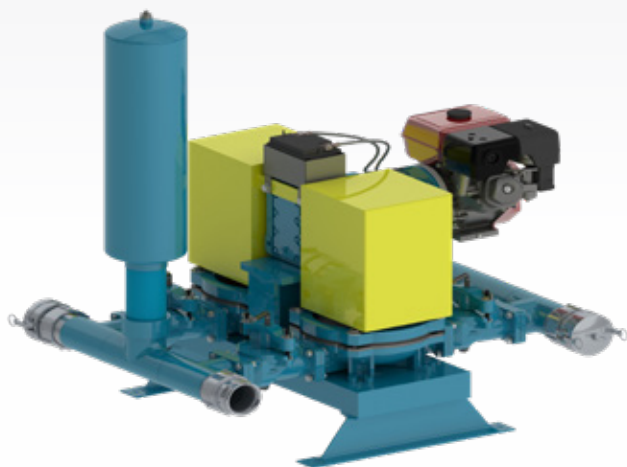
## 3FAC-EC-DD™ Accessories

| Description  | Part no. |
|--|----------|
| Pressure sensor assembly (advised)                               | 64093-02 |
| Hose, non-collapsible, EPDM rubber, 3"x20'. Camlocks included.   | 60723-00 |
| Hose, discharge, lay flat, brown, 3"x50'.                        | 51334-10 |
| Air chamber assembly   | 64970-00 |
| Professional ATV Wagon kit, 16" pneumatic tires, 2200 lb chassis | 61292-00 |
| Speed Control, SEW Movimot, 24V keypad                           | 62305-00 |
| Starter Control Panel w/NEMA 12 protection                       | 61744-00 |

## Spare Parts Kits

| Description                   | Part no. |
|-------------------------------|----------|
| Basic spare parts kit         | 65214-00 |
| Comprehensive spare parts kit | 65066-00 |

# Wastecorp Mud Sucker® 3FAC-M-DD™ Series

**NEW!**


Diesel engine model shown. Shown with optional air chamber (pulsation control)

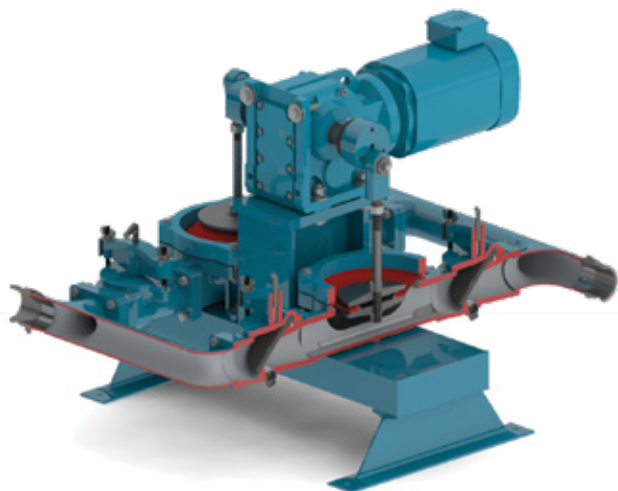
## Performance Range

|                     |                                 |
|---------------------|---------------------------------|
| Max. capacity       | 160 GPM                         |
| Max. suction lift   | 20' vertical or 75' horizontal  |
| Max. discharge head | 50' vertical or 300' horizontal |
| Solids handling     | 2¼" dia or 50% by volume        |

## Pump Specifications

|                           |                          |
|---------------------------|--------------------------|
| Suction inlet/outlet size | 3" MNPT/ male camlocks   |
| Max. liquid temperature   | 140°F (60°C) continuous* |
| Pump body casing          | Cast iron ASTM A48       |
| Diaphragm                 | 13" OD TPE Santoprene®   |
| Check valves              | EPDM                     |
| Gear reducer              | SEW Eurodrive/Siemens    |
| Crankarm                  | AISI 1045 HR steel       |
| Pump rod                  | AISI 12L14 carbon steel  |
| Pump operating speed      | 66 RPM                   |

## 3FAC-M-DD™ Cutaway



## Applications

- Heavy duty pumping applications including industrial, oil sludge, municipal wastewater.
- Most higher solids transfer applications.

## Benefits

- 3" connection
- Cast iron pump body
- Advanced flapper technology system
- Inspect suction and discharge area in minutes

## 3FAC-M-DD™ Series Model Selection

| Model  | Part no. |
|--|----------|
| 9 hp Honda gas engine w/gear reducer (e-start) | 64995-20 |
| 9.1 hp Kohler diesel engine (e-start)          | 64995-30 |

## 3FAC-M-DD™ Accessories

| Description  | Part no. |
|--|----------|
| Strainer, 3" FNPT square hole                                      | 31345-00 |
| Hose, non-collapsible BLK, EPDM rubber, 3"x20'. Camlocks included. | 60723-00 |
| Hose, discharge, lay flat, brown, 3"x50'.                          | 51334-10 |
| Air chamber assembly   | 64970-00 |
| Professional ATV Wagon kit, 16" pneumatic tires, 2200 lb chassis   | 61292-00 |
| Check valve, swing, PVC, 3" FNPT                                   | 61245-00 |

## Spare Parts Kits

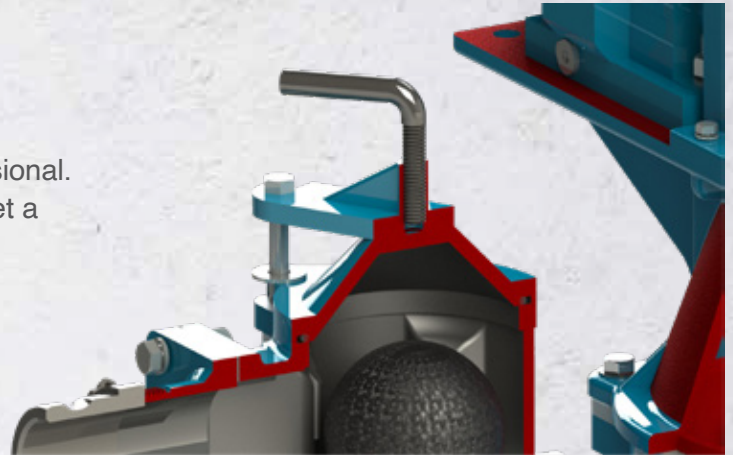
| Description                   | Part no. |
|-------------------------------|----------|
| Basic spare parts kit         | 65214-00 |
| Comprehensive spare parts kit | 65066-00 |

# BALL VALVE STYLE DIAPHRAGM PUMPS

Mud Sucker ball valve style diaphragm pumps are among the most robust slurry and solids handling pumps available on the market. Characterized by the B designation, each pump contains check balls to break apart solids and make fluid more manageable to pump. Accessing the internals of ball valve style pumps are as easy as removing the valve cover. Select from 1½, 2" 3" and 4" styles. Select from single or double diaphragm styles capable of pumping up to 220 GPM.

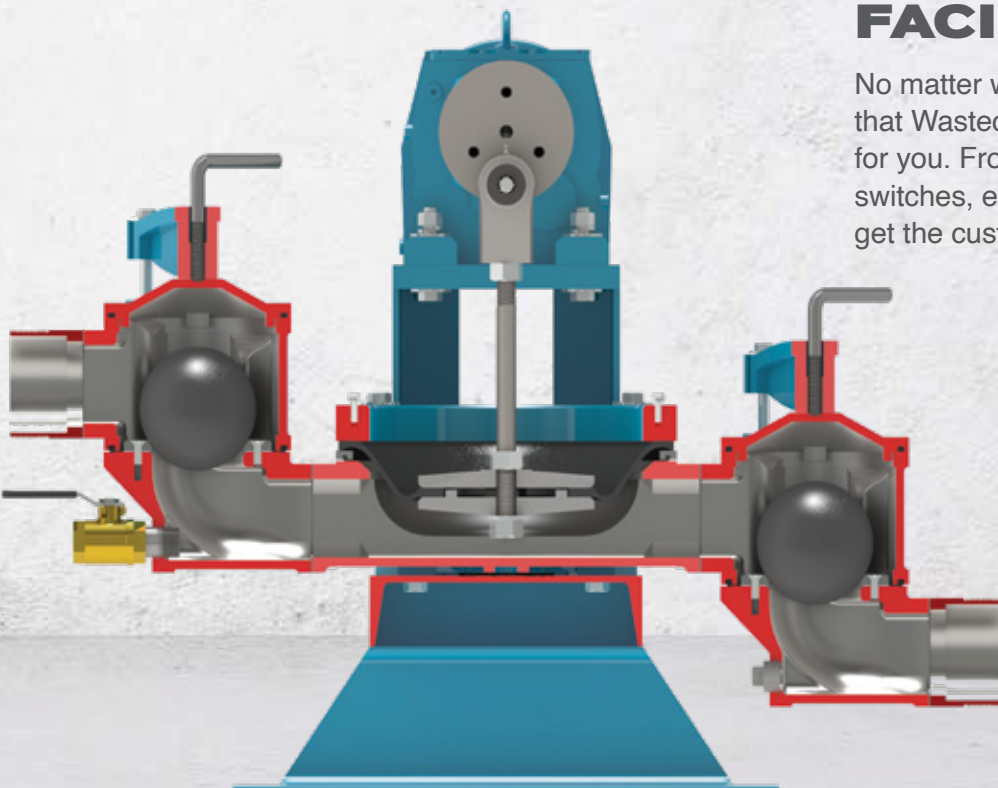
## PROFESSIONAL PUMP DESIGN

Everything about the Mud Sucker B Series says professional. From the design, engineering and manufacturing you get a pump designed by professionals for professionals. With steel core check balls, tough slurries and solids are no match for the B Series.



## DESIGNED FOR YOUR FACILITY

No matter what the layout is of your facility it's likely that Wastecorp has a custom pump package for you. From custom piping orientations to float switches, explosion proof motors and beyond, you get the custom pump package you need.



## 2B SERIES

The 2B Series is capable of pumping up to 20 GPM with either a 1½ or 2” connection. Electric, engine, hydraulic and pneumatic (air) drives are available.



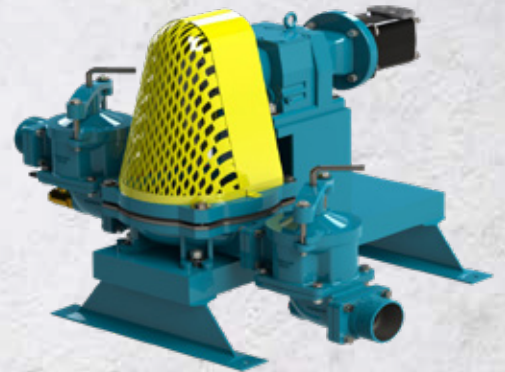
## 3B SERIES

Mud Sucker 3B Series features a 3” connection and pumping capabilities up to 80 GPM. Designed for wastewater treatment, slurry and select chemical pumping. Five drive system options and mounting capabilities.



## 4B SERIES

If you're looking for a robust 4” diaphragm pump the 4B Series is it. With pumping capabilities up to 110 GPM, the 4B Series has the intermittent operating capabilities you need.



## B-DD SERIES

All of our B Series models are available as double diaphragm units. Select from 2”, 3” and 4” connection sizes with any drive system and mounting configuration available. You can even select the piping orientation as well.



# Wastecorp Mud Sucker® 2B-EC™ Series



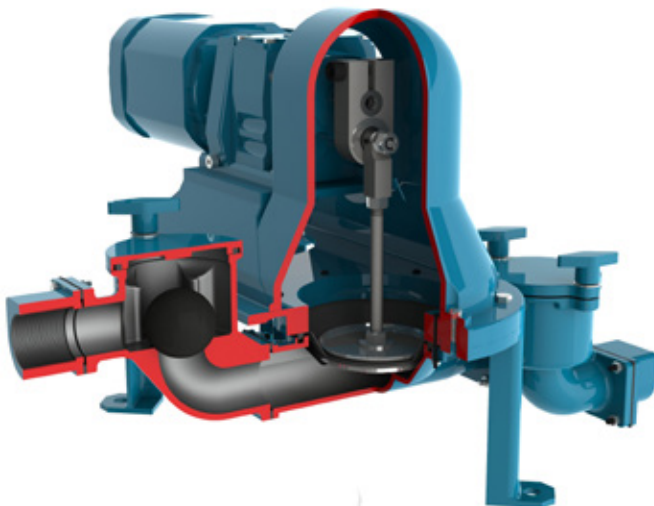
## Performance Range

|                     |  |
|---------------------|--|
| Max. capacity       | 20 GPM   |
| Max. suction lift   | 20' vertical or 75' horizontal (with foot valve) |
| Max. discharge head | 50' vertical or 22 psi max                       |
| Solids handling     | 1½" dia or 50% by volume                         |

## Pump and Motor Specifications

|                              |  |
|------------------------------|--|
| Suction inlet/outlet size    | 1½" or 2" MNPT (optional male camlock, ANSI or flange) |
| Max. liquid temperature      | 140°F (60°C) continuous                                |
| Pump body casing             | Aluminum A356, heat treated                            |
| Diaphragm                    | 7" OD SBR rubber with nylon reinforcement              |
| Ball valves                  | Urethane   |
| Gearbox                      | SEW Eurodrive or Siemens                               |
| Crankarm & Pump Rod Assembly | AISI 12L14 carbon steel                                |
| Max. Pump Operating Speed    | 70 RPM   |

\* Tested based on pumping water. Fluid handling rate may be impacted by quantity of elbows in the system, thickness of fluid, altitude and other factors. Locate pump as close to pumping source as possible.



## 2B-EC™ Series Model Selection

| Model   | Part no. |
|---|----------|
| Three Phase - 1 hp, 1800RPM/3/60/230/460V                                       | 62982-00 |
| Single Phase - 1 hp, 1800RPM/1/60/115/230V                                      | 62982-10 |
| Explosion Proof (Three Phase), TEXP 1 hp, 1800RPM/3/60/230/460V                 | 62982-20 |
| Explosion Proof (Single Phase), TEXP 1 hp, 1800RPM/1/60/115/230V                | 62982-30 |
| Also available with 12V DC Power, 24V DC, gas, diesel, air or hydraulic drives. | Call     |
| Inline configuration  | 64929-00 |

## Accessories

| Description  | Part no. |
|--|----------|
| Pressure sensor assembly (Advised)   | 64093-02 |
| Hose, non-collapsible, EPDM rubber, 2"x20 ft. Camlocks included.                 | 60718-00 |
| Hose, discharge, lay flat, brown, 2"x50 ft                                       | 51333-10 |
| Air Chamber with tee assembly; recommended for pumping water to reduce pulsation | 65041-00 |
| Lifting bars   | 62538-00 |
| Wheel mount kit with handles   | 61315-00 |
| Cart, 2B inline models   | 64513-00 |
| SEW MoviMot 24V key pad speed control  | 62301-00 |

## Spare Parts Kits

| Description                   | Part no. |
|-------------------------------|----------|
| Basic spare parts kit         | 61686-00 |
| Comprehensive spare parts kit | 61688-00 |

## Wastecorp Mud Sucker® 2B-M™ Series



### Applications

- Heavy duty pumping applications including industrial, oil sludge, municipal wastewater.
- Most higher solids transfer applications.

### Benefits

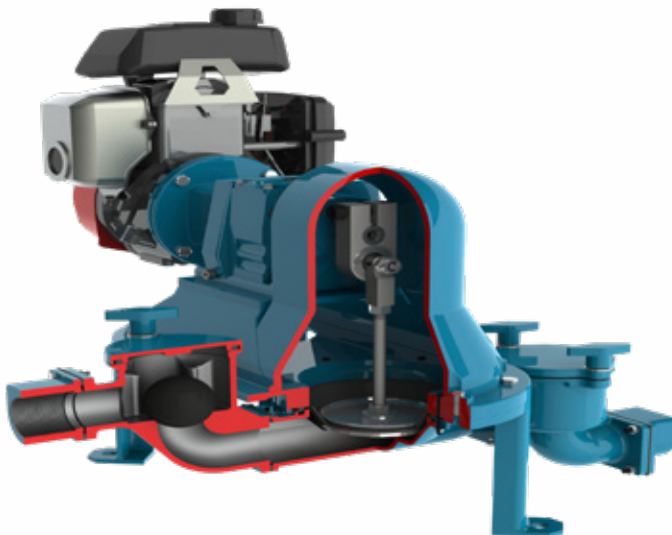
- Aluminum pump body
- 1½ or 2" connection
- Built with ball valves to pump tough slurry
- Gas or diesel engine
- Robust design

### Performance Range

|                     |  |
|---------------------|--|
| Max. capacity       | 20 GPM   |
| Max. suction lift   | 20' vertical or 75' horizontal (with foot valve) |
| Max. discharge head | 50' vertical or 22 psi max                       |
| Solids handling     | 1½" dia or 50% by volume                         |

### Pump and Motor Specifications

|                              |   |
|------------------------------|---|
| Suction inlet/outlet size    | 1½" or 2" MNPT (optional male camlock)    |
| Max. liquid temperature      | 140°F (60°C) continuous                   |
| Pump body casing             | Aluminum A356, heat treated               |
| Diaphragm                    | 7" OD SBR rubber with nylon reinforcement |
| Ball valves                  | Urethane                                  |
| Gearbox                      | SEW Eurodrive or Siemens                  |
| Crankarm & Pump Rod Assembly | AISI 12L14 carbon steel                   |
| Max. Pump Operating Speed    | 70 RPM                                    |



### 2B-M™ Series Model Selection

| Model                           | Part no. |
|---------------------------------|----------|
| Gas engine, Honda GX 100 Series | 62983-00 |
| Diesel engine, Hatz             | 62983-10 |

### 2B-M™ Accessories

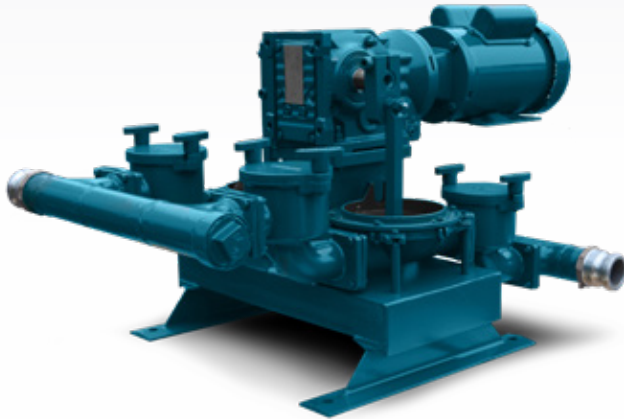
| Description  | Part no. |
|--|----------|
| Check valve, 2" swing PVC  | 60536-00 |
| Hose, non-collapsible, EPDM rubber, 2"x20 ft. Camlocks included. | 60718-00 |
| Hose, discharge, lay flat, brown, 2"x50 ft                       | 51333-10 |
| Air chamber, recommended to reduce pulsation                     | 65041-00 |
| Lifting bars   | 62538-00 |
| Wheel mount kit with handles                                     | 61315-00 |
| Strainer, 2" FNTP square hole                                    | 34383-00 |

### Spare Parts Kits

| Description                   | Part no. |
|-------------------------------|----------|
| Basic spare parts kit         | 61686-00 |
| Comprehensive spare parts kit | 61688-00 |

\* Tested based on pumping water. Fluid handling rate may be impacted by quantity of elbows in the system, thickness of fluid, altitude and other factors. Locate pump as close to pumping source as possible.

# Wastecorp Mud Sucker® 2B-EC-DD™ Series



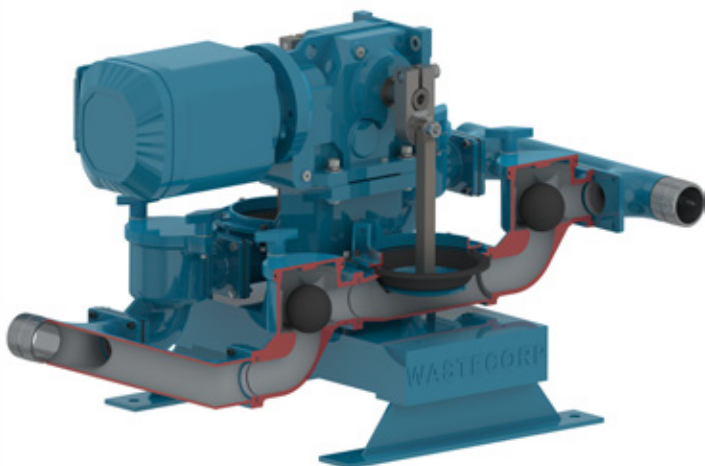
## Performance Range

|                     |  |
|---------------------|--|
| Max. capacity       | 40 GPM   |
| Max. suction lift   | 20' vertical or 75' horizontal (with foot valve) |
| Max. discharge head | 50' vertical or 22 psi max                       |
| Solids handling     | 1½" dia or 50% by volume                         |

## Pump and Motor Specifications

|                              |  |
|------------------------------|--|
| Suction inlet/outlet size    | 1½" or 2" MNPT (optional male camlock, ANSI or flange) |
| Max. liquid temperature      | 140°F (60°C) continuous                                |
| Pump body casing             | Aluminum A356, heat treated                            |
| Diaphragm                    | 7" OD SBR rubber with nylon reinforcement              |
| Ball valves                  | Urethane   |
| Gearbox                      | SEW Eurodrive or Siemens                               |
| Crankarm & Pump Rod Assembly | AISI 12L14 carbon steel                                |
| Max. Pump Operating Speed    | 70 RPM   |

\* Tested based on pumping water. Fluid handling rate may be impacted by quantity of elbows in the system, thickness of fluid, altitude and other factors. Locate pump as close to pumping source as possible.



## 2B-EC-DD™ Series Model Selection

| Model  | Part no. |
|--|----------|
| Three Phase - 2HP; 60Hz; 230-460V [or 360-575V]; 1800 RPM TEFC                             | 63364-00 |
| Single Phase - 2HP; 60Hz; 115/208-230V; 1800 RPM TEFC                                      | 63364-10 |
| Explosion Proof (Three Phase)2HP; 60Hz; 230-460V [or 360-575V]; 1800RPM EPFC               | 63364-20 |
| Explosion Proof (Single Phase), 2HP; 1Ph; 60Hz; 230-460V [or 360-575V]; 1800RPM EPFC motor | 63364-30 |

## Accessories

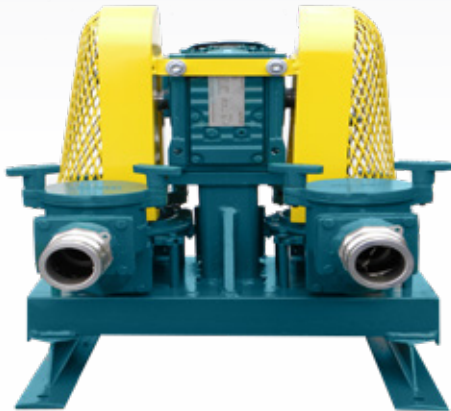
| Description   | Part no. |
|---|----------|
| Strainer (sq. hole)   | 34383-00 |
| Hose, non-collapsible, EPDM rubber, 2"x20 ft. Camlocks included.                  | 60718-00 |
| Hose, discharge, lay flat, brown, 2"x50 ft  | 51333-10 |
| Air Chamber with tee assembly (recommended for pumping water to reduce pulsation) | 62742-00 |
| Pump mounted on ATV trailer/ w tow package  | 60891-00 |
| SEW Movimot 24V key pad speed control   | 62302-00 |

## Spare Parts Kits

| Description                   | Part no. |
|-------------------------------|----------|
| Basic spare parts kit         | 63166-00 |
| Comprehensive spare parts kit | 63165-00 |



## Wastecorp Mud Sucker® 2B-M-DD™ Series



### Applications

- General wastewater, septic pumping, waste oil
- Food processing waste, heavy use applications

### Benefits

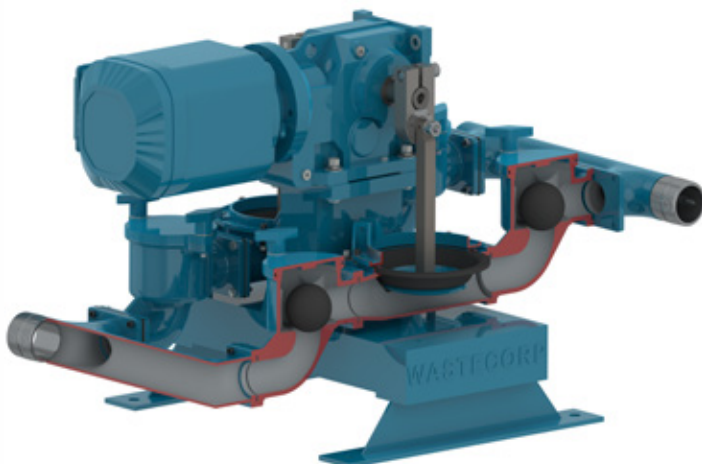
- Engine driven double diaphragm pump
- 1½ or 2" connection
- Double the capacity
- Gas or diesel engine
- Robust design

### Performance Range

|                     |  |
|---------------------|--|
| Max. capacity       | 40 GPM   |
| Max. suction lift   | 20' vertical or 75' horizontal (with foot valve) |
| Max. discharge head | 50' vertical or 22 psi max                       |
| Solids handling     | 1½" dia or 50% by volume                         |

### Pump and Motor Specifications

|                              |   |
|------------------------------|---|
| Suction inlet/outlet size    | 1½" or 2" MNPT (optional male camlock)    |
| Max. liquid temperature      | 140°F (60°C) continuous                   |
| Pump body casing             | Aluminum A356, heat treated               |
| Diaphragm                    | 7" OD SBR rubber with nylon reinforcement |
| Ball valves                  | Urethane                                  |
| Gearbox                      | SEW Eurodrive or Siemens                  |
| Crankarm & Pump Rod Assembly | AISI 12L14 carbon steel                   |
| Max. Pump Operating Speed    | 70 RPM                                    |



### 2B-M-DD™ Series Model Selection

| Model                             | Part no. |
|-----------------------------------|----------|
| Gas engine, 5 hp, Honda GX Series | 63365-00 |
| Diesel engine, Hatz               | 63365-10 |

### Accessories

| Description   | Part no. |
|---|----------|
| Strainer (sq. hole)   | 34383-00 |
| Hose, non-collapsible, EPDM rubber, 2"x20 ft. Camlocks included.                  | 60718-00 |
| Hose, discharge, lay flat, brown, 2"x50 ft  | 51333-10 |
| Air Chamber with tee assembly (recommended for pumping water to reduce pulsation) | 62742-00 |
| Pump mounted on ATV trailer/ w tow package  | 60891-00 |

### Spare Parts Kits

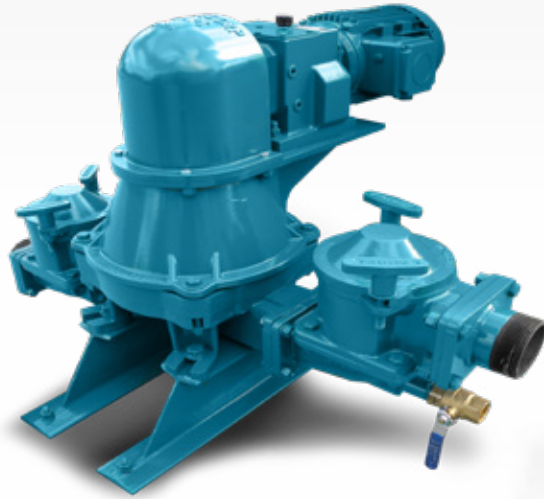
| Description                   | Part no. |
|-------------------------------|----------|
| Basic spare parts kit         | 63166-00 |
| Comprehensive spare parts kit | 63165-00 |





*Mud Sucker 3B Series installation at an international oil refinery. This pump transfers wastewater mixed with traces of oil sludge and grit. Pump includes an explosion proof motor. Mud Sucker pumps are not only the North American standard for diaphragm pumps, they are gaining recognition for pumping excellence worldwide.*

# Wastecorp Mud Sucker® 3B-EC™ Series



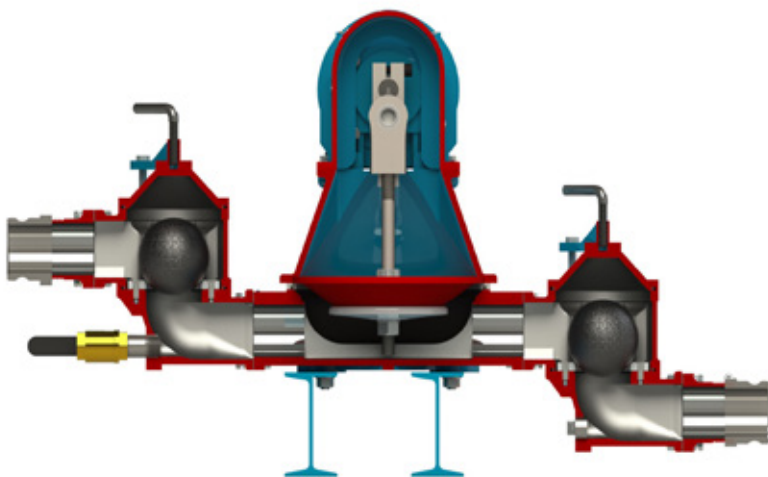
## Performance Range

|                     |                                 |
|---------------------|---------------------------------|
| Max. capacity       | 80 GPM                          |
| Max. suction lift   | 20' vertical or 75' horizontal  |
| Max. discharge head | 50' vertical or 300' horizontal |
| Solids handling     | 2¼" dia. or 50% by volume       |

## Pump Specifications

|                           |                            |
|---------------------------|----------------------------|
| Suction inlet/outlet size | 3"x3" MNPT, or ANSI flange |
| Max. liquid temperature   | 140°F (60°C) continuous*   |
| Pump body casing          | Cast iron, ASTM-A48        |
| Diaphragm                 | 13" OD TPE Santoprene®     |
| Ball valves               | Urethane with steel core   |
| Gear reducer              | SEW Eurodrive/Siemens      |
| Crankarm                  | AISI 1045 HR steel         |
| Valve chambers            | Cast iron, ASTM-A48        |
| Pump operating speed      | 60 RPM                     |

## 3B-EC™ Cutaway Drawing



## Applications

- Higher solids handling applications including mining, construction, agriculture and more.
- Specialty models designed for refinery sludge, tar sands and shale applications.

## Benefits

- Severe duty grade valve chamber with steel core ball valves to crush solids.
- Premium cast iron design for high wear life and long life cycles.
- Stainless steel, cast iron or bronze valve seats available.

## 3B-EC™ Series Model Selection

| Model   | Part no. |
|---|----------|
| Three phase. 3 HP/1800RPM/3/60/230-460V (or 575V)                 | 64324-00 |
| Single phase. 3 HP/1800RPM/1/60/115-230V                          | 64324-10 |
| Three phase explosion proof. 3 HP/1800RPM/3/60/230-460V (or 575V) | 64324-20 |
| Single phase explosion proof. 3 HP/1800RPM/1/60/115-230V TEXP     | 64324-30 |
| Inline piping configuration                                       | Call     |

## 3B-EC™ Accessories

| Description  | Part no. |
|--|----------|
| Pressure sensor assembly (advised)                             | 65019-00 |
| Hose, non-collapsible, EPDM rubber, 3"x20'. Camlocks included. | 60723-00 |
| Starter control panel  | 61492-00 |
| Air chamber with T assembly                                    | 65215-00 |
| Air chamber with ANSI manifold                                 | 60535-00 |
| Trailer mounted (utility, non-DOT)                             | 61745-00 |
| Professional Wagon, 16" pneumatic tires, 2200 lb chassis       | 64658-00 |
| Speed Control, SEW Movimot, 24V keypad                         | 62304-00 |

## Spare Parts Kits

| Description                   | Part no. |
|-------------------------------|----------|
| Basic spare parts kit         | 61687-00 |
| Comprehensive spare parts kit | 61689-00 |

3B-EC Standard Design



Mud Sucker B Series at a food processing facility. This application involves separating oil and waste water and then pumping for further treatment.

**Optional Configurations/Accessories**



Speed control



In line piping



Air chambers (pulsation reduction)



Trailer mounted



Wheel kit (dolly)



ATV package w/ control panel



OEM Suction/discharge hoses



OEM Spare Parts Kits



*Mud Sucker 3B Series installation at a Silicon Valley tech company's cooling tower operations. Technology companies require heavy duty pumps to handle their various pumping needs in a rapidly expanding industry. This installation features the in line piping orientation which saves space. Available as an option.*



# Wastecorp Mud Sucker® 3B-M™ Series



Diesel model shown

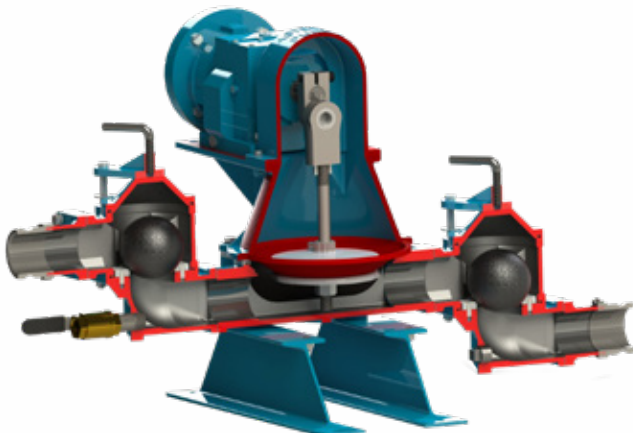
## Performance Range

|                     |                                 |
|---------------------|---------------------------------|
| Max. capacity       | 80 GPM                          |
| Max. suction lift   | 20' vertical or 75' horizontal  |
| Max. discharge head | 50' vertical or 300' horizontal |
| Solids handling     | 2¼" dia or 50% by volume        |

## Pump Specifications

|                           |  |
|---------------------------|--|
| Suction inlet/outlet size | 3"x3" (male threaded), optional camlock or ANSI flange |
| Max. liquid temperature   | 140°F (60°C) continuous*                               |
| Pump body casing          | Cast Iron (ASTM A48)                                   |
| Diaphragm                 | 13" OD TPE Santoprene®                                 |
| Ball valves               | Urethane with steel core                               |
| Gear reducer              | SEW Eurodrive/Siemens                                  |
| Crankarm                  | AISI 1045 HR steel                                     |
| Valve chambers            | Cast iron ASTM A48                                     |
| Pump operating speed      | 60 RPM   |

## 3B-M™ Cutaway



## Applications

- Portable applications for high solids content fluid handling applications
- Federal and military specifications available

## Benefits

- Rear discharge for easy hose connection on trailer mounted model (shown)
- 4½" urethane ball valves
- Patented design for clog free pumping

## 3B-M™ Series Model Selection

| Model  | Part no. |
|--|----------|
| Honda gas engine w/gear reducer (e-start)        | 62545-00 |
| Kohler diesel engine with gear reducer (e-start) | 62545-10 |

## 3B-M™ Accessories

| Description   | Part no. |
|---|----------|
| Camlock, 3" aluminum male   | 60270-00 |
| Hose, non-collapsible BLK, EPDM rubber, 3"x20'. Camlocks included.  | 60723-00 |
| Trailer mounted, utility (non-DOT)                                  | 61745-00 |
| Wheel kit (dolly style)   | 61316-00 |
| Professional Wagon kit, 16" pneumatic tires                         | 64658-00 |
| Air chamber with tee assembly (discharge side). Pulsation dampening | 65215-00 |
| Strainer, 3" FNPT   | 31345-00 |
| Check valve, swing, 3" FNPT   | 61245-00 |

## Spare Parts Kits

| Description                   | Part no. |
|-------------------------------|----------|
| Basic spare parts kit         | 61687-00 |
| Comprehensive spare parts kit | 61686-00 |





The Mud Sucker 3BM-T conquers debris laden waste at sewer reconstruction projects, mining and many construction related applications. Shown: Mud Sucker 3BM-T off road trailer model with turf tires to reduce impact on existing landscaping.

### Optional Configurations/Accessories



Wheel kit (dolly)



Mobility skid



ATV wagon



Trailer mounted



Trailer mounted pump mover



OEM spare parts kit



Suction/discharge hose



Diesel engine (e-start)

# Wastecorp Mud Sucker® 4B-EC™ Series



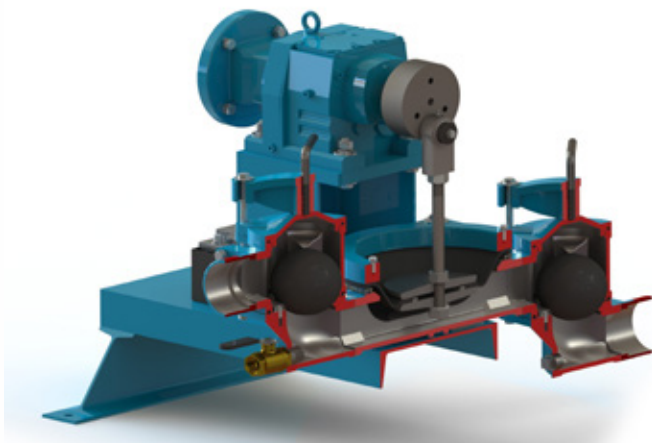
## Performance Range

|                     |                                 |
|---------------------|---------------------------------|
| Max. capacity       | 110 GPM                         |
| Max. suction lift   | 20' vertical or 75' horizontal  |
| Max. discharge head | 50' vertical or 300' horizontal |
| Solids handling     | 2¼" dia or 50% by volume        |

## Pump Specifications

|                           |   |
|---------------------------|---|
| Suction inlet/outlet size | 4"x4" MNPT (male threaded), optional camlock or ANSI flange |
| Max. liquid temperature   | 140°F (60°C) continuous*                                    |
| Pump body casing          | Cast Iron (ASTM A48)  |
| Diaphragm                 | 14¼" OD TPE Santoprene®                                     |
| Ball valves               | Urethane with steel core                                    |
| Gear reducer              | SEW Eurodrive/Siemens                                       |
| Crankarm                  | Cold roll steel 1018 (drive hub)                            |
| Valve chambers            | Cast iron ASTM A48  |
| Pump operating speed      | 60 RPM  |

## 4B-EC™ Cutaway



## 4B-EC™ Series Model Selection

| Model   | Part no. |
|---|----------|
| Three phase. 5 HP/1800RPM/3/60/230-460V (or 575V)                 | 64500-00 |
| Single phase. 5 HP/1800RPM/1/60/115-230V                          | 64500-10 |
| Three phase explosion proof. 5 HP/1800RPM/3/60/230-460V (or 575V) | 64500-20 |
| Single phase explosion proof. 5 HP/1800RPM/1/60/115-230V TEXP     | 64500-30 |

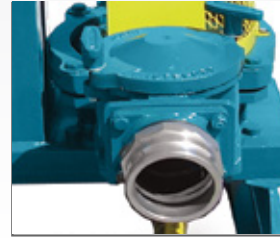
## 4B-EC™ Accessories

| Description  | Part no. |
|--|----------|
| Pressure sensor assembly (advised)                             | 65019-00 |
| Hose, non-collapsible, EPDM rubber, 4"x20'. Camlocks included. | 60728-00 |
| Air chamber with tee assembly (pulsation control)              | 65211-00 |
| Air chamber with ANSI manifold                                 | 63948-00 |
| Professional wagon kit, 16" pneumatic tires                    | 61748-00 |
| Speed control, SEW Movimot, 24V keypad                         | 62304-00 |
| Starter control panel w/NEMA 12 protection                     | 61744-00 |
| Camlock 4"   | 60469-00 |

## Spare Parts Kits

| Description                   | Part no. |
|-------------------------------|----------|
| Basic spare parts kit         | 61740-00 |
| Comprehensive spare parts kit | 61741-00 |

## Wastecorp Mud Sucker® 4B-M™ Series



The 4B-M features valve chambers on both the suction and discharge with steel core ball valves to crush solids. Valve cover features a quick opening design to service interior.

Standard 9 hp gas engine with automatic start feature. Diesel engines also available. Connected to a heavy duty gear motor.



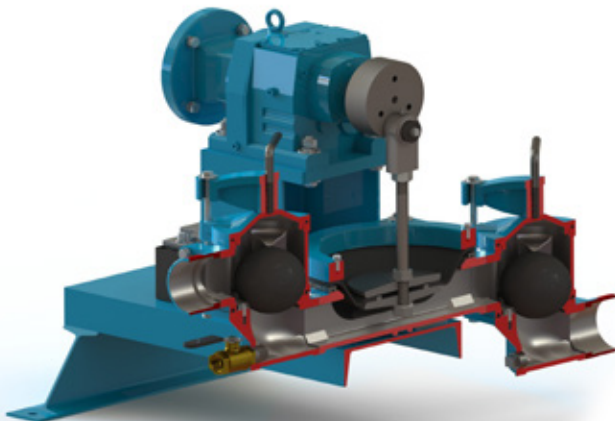
### Performance Range

|                     |                                 |
|---------------------|---------------------------------|
| Max. capacity       | 110 GPM                         |
| Max. suction lift   | 20' vertical or 75' horizontal  |
| Max. discharge head | 50' vertical or 300' horizontal |
| Solids handling     | 2¼" dia. or 50% by volume       |

### Pump Specifications

|                           |   |
|---------------------------|---|
| Suction inlet/outlet size | 4"x4" MNPT (male threaded), optional camlock or ANSI flange |
| Max. liquid temperature   | 140°F (60°C) continuous*                                    |
| Pump body casing          | Cast Iron (ASTM A48)  |
| Diaphragm                 | 14¾" OD TPE Santoprene® severe duty                         |
| Ball valves               | Urethane with steel core                                    |
| Gear reducer              | SEW Eurodrive/Siemens                                       |
| Valve chambers            | Cast iron ASTM A48  |
| Pump rod                  | AISI 12L14 carbon steel                                     |

### 4B-M™ Cutaway



### 4B-M™ Series Model Selection

| Model                                     | Part no. |
|---|----------|
| Honda gas engine w/gear reducer (e-start) | 64411-00 |
| Kohler diesel engine (e-start)            | 64411-10 |

### 4B-M™ Accessories

| Description  | Part no. |
|--|----------|
| Camlock, 4"  | 60469-00 |
| Hose, non-collapsible, EPDM rubber, 4"x20'. Camlocks included. | 60728-00 |
| Air chamber with tee assembly (pulsation control)              | 65211-00 |
| Hose, discharge, layflat, brown, 4"x50'.                       | 51335-10 |
| Professional Wagon kit, 16" pneumatic tires                    | 61748-00 |
| Trailer, utility (non-DOT), 2" ball hitch                      | 61746-00 |
| Strainer, 4" square hole                                       | 31760-00 |

### Spare Parts Kits

| Description                   | Part no. |
|-------------------------------|----------|
| Basic spare parts kit         | 61740-00 |
| Comprehensive spare parts kit | 61741-00 |

# Wastecorp Mud Sucker® 3B-EC-DD™ Series



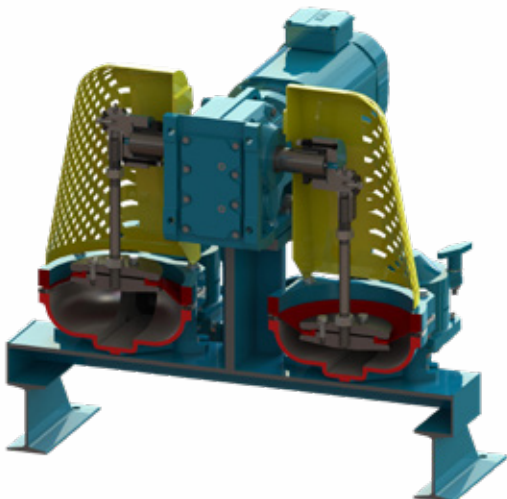
## Performance Range

|                     |                                 |
|---------------------|---------------------------------|
| Max. capacity       | 160 GPM                         |
| Max. suction lift   | 20' vertical or 75' horizontal  |
| Max. discharge head | 50' vertical or 300' horizontal |
| Solids handling     | 1¼" dia or 50% by volume        |
| Pump type           | Double diaphragm pump           |

## Pump Specifications

|                           |                                    |
|---------------------------|------------------------------------|
| Suction inlet/outlet size | 3" FNTP, ANSI, flange or camlock   |
| Max. liquid temperature   | 140°F (60°C) continuous*           |
| Pump body casing          | Cast Iron (ASTM A48; Class 30)     |
| Diaphragm                 | 13" OD TPE Santoprene® Severe duty |
| Ball valves               | Urethane with steel core           |
| Gear reducer              | SEW Eurodrive/Siemens              |
| Crankarm                  | AISI 1045 HR steel                 |
| Pump rod                  | AISI 12L14 carbon steel            |
| Pump operating speed      | 66 RPM                             |

## 3B-EC-DD™ Cutaway



## 3B-EC-DD™ Series Model Selection

| Model   | Part no. |
|---|----------|
| Three phase. 5 HP/1800RPM/3/60/230-460V (or 575V)                 | 64375-00 |
| Single phase. 5 HP/1800RPM/1/60/115-230V                          | 64375-10 |
| Three phase explosion proof. 5 HP/1800RPM/3/60/230-460V (or 575V) | 64375-20 |
| Single phase explosion proof. 5 HP/1800RPM/1/60/115-230V TEXP     | 64375-30 |

## 3B-EC-DD™ Accessories

| Description  | Part no. |
|--|----------|
| Pressure sensor assembly (Advised)                             | 65019-00 |
| Hose, non-collapsible, EPDM rubber, 3"x20'. Camlocks included. | 60724-00 |
| Air chamber assembly (pulsation control)                       | 24900-00 |
| Trailer (non-DOT) 2" ball hitch                                | 61747-00 |
| Camlock, 3"  | 60466-00 |
| Speed Control, SEW Movimot, 24V keypad                         | 62305-00 |
| Starter Control Panel w/NEMA 12 protection                     | 61744-00 |

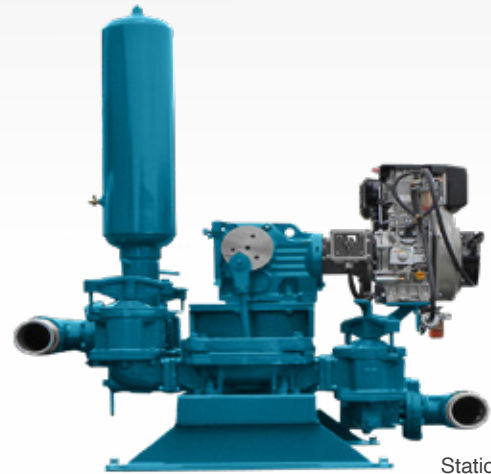
## Spare Parts Kits

| Description                   | Part no. |
|-------------------------------|----------|
| Basic spare parts kit         | 61687-10 |
| Comprehensive spare parts kit | 61689-10 |

## Wastecorp Mud Sucker® 3B-M-DD™ Series



Trailer mounted



Stationary

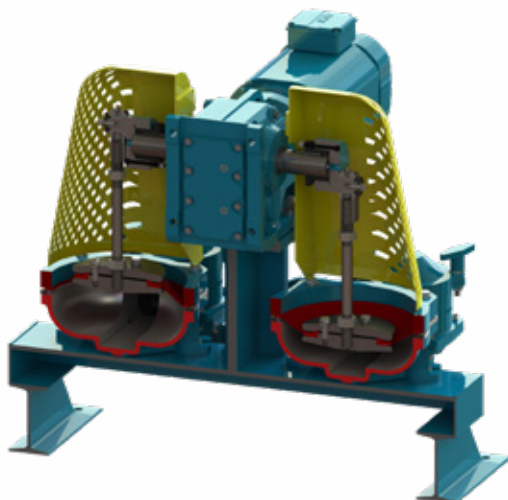
### Performance Range

|                     |                                 |
|---------------------|---------------------------------|
| Max. capacity       | 160 GPM                         |
| Max. suction lift   | 20' vertical or 75' horizontal  |
| Max. discharge head | 50' vertical or 300' horizontal |
| Solids handling     | 1¼" dia or 50% by volume        |
| Pump type           | Double diaphragm pump           |

### Pump Specifications

|                           |                                  |
|---------------------------|----------------------------------|
| Suction inlet/outlet size | 3" FNTP, ANSI, flange or camlock |
| Max. liquid temperature   | 140°F (60°C) continuous*         |
| Pump body casing          | Cast Iron (ASTM A48; Class 30)   |
| Diaphragm                 | 13" OD TPE Santoprene®           |
| Ball valves               | Urethane with steel core         |
| Gear reducer              | SEW Eurodrive/Siemens            |
| Crankarm                  | AISI 1045 HR Steel               |
| Pump rod                  | AISI 12L14 Carbon Steel          |
| Pump operating speed      | 66 RPM                           |

### 3B-M-DD™ Cutaway



### 3B-M-DD™ Series Model Selection

| Model                                     | Part no. |
|---|----------|
| Honda gas engine w/gear reducer (e-start) | 64377-00 |
| Kohler diesel engine (e-start)            | 64377-10 |

### 3B-M-DD™ Accessories

| Description  | Part no. |
|--|----------|
| Pressure relief valve (Advised), 2" FNTP set @60 psi           | 19022-60 |
| Hose, non-collapsible, EPDM rubber, 3"x20'. Camlocks included. | 60723-00 |
| Air chamber assembly (pulsation control)                       | 24900-00 |
| Trailer - utility (non-DOT) 2" ball hitch                      | 61747-00 |
| Camlock, 3"  | 60466-00 |
| Strainer, 3" FNTP, square hole                                 | 31345-00 |
| Hose, discharge, layflat brown, 3"x50'                         | 51334-10 |
| Pressure gauge, w/dia. seal                                    | 22805-00 |

### Spare Parts Kits

| Description                   | Part no. |
|-------------------------------|----------|
| Basic spare parts kit         | 61687-10 |
| Comprehensive spare parts kit | 61689-10 |

\* Tested based on pumping water. Fluid handling rate may be impacted by quantity of elbows in the system, thickness of fluid, altitude and other factors. Locate pump as close to pumping source as possible.

# Wastecorp Mud Sucker® 4B-EC-DD™ Series



## Applications

- Higher solids handling applications including mining, construction, agriculture and more
- Specialty models designed for refinery sludge, tar sands and shale applications

## Benefits

- Severe duty grade valve chamber with steel core ball valves to crush solids
- Premium cast iron design for high wear life and long life cycles
- Stainless steel, cast iron or bronze valve seats available

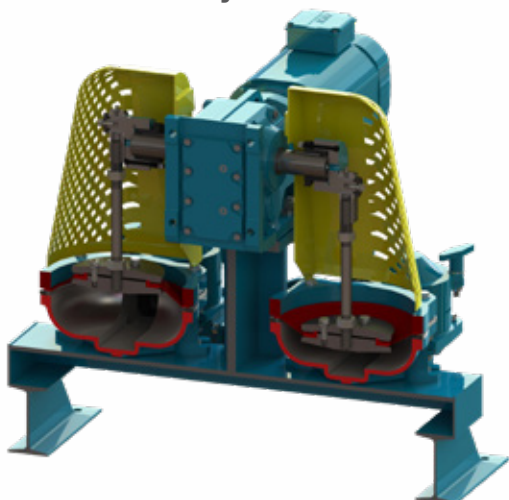
## Performance Range

|                     |                                 |
|---------------------|---------------------------------|
| Max. capacity       | 220 GPM                         |
| Max. suction lift   | 20' vertical or 75' horizontal  |
| Max. discharge head | 50' vertical or 300' horizontal |
| Solids handling     | 2¼" dia or 50% by volume        |

## Pump Specifications

|                           |   |
|---------------------------|---|
| Suction inlet/outlet size | 4"x4" ANSI flange (optional FNPT or male camlock) |
| Max. liquid temperature   | 140°F (60°C) continuous*                          |
| Pump body casing          | Cast Iron (ASTM A48; Class 30)                    |
| Diaphragm                 | TPE Santoprene®                                   |
| Ball valves               | Urethane with steel core                          |
| Gear reducer              | SEW Eurodrive/Siemens                             |
| Crankarm                  | Cold roll steel 1018 (Drive Hub)                  |
| Pump rod                  | AISI 12L14 Carbon Steel                           |

## 4B-EC-DD™ Cutaway



## 4B-EC-DD™ Series Model Selection

| Model   | Part no. |
|---|----------|
| Three phase. 7.5 HP/1800RPM/3/60/230-460V (or 575V)               | 61736-00 |
| Single phase 7.5 HP/1800RPM/1/60/115-230V                         | 61736-10 |
| Three phase explosion proof. 5 HP/1800RPM/3/60/230-460V (or 575V) | 61736-20 |
| Single phase explosion proof. 7.5 HP/1800RPM/1/60/115-230V        | 61736-30 |

## 4B-EC-DD™ Accessories

| Description  | Part no. |
|--|----------|
| Pressure sensor assembly                                       | 65019-00 |
| Hose, non-collapsible, EPDM rubber, 4"x20'. Camlocks included. | 60728-00 |
| Air chamber assembly (pulsation control)                       | 24900-00 |
| Utility trailer assembly, 2" ball hitch                        | 64686-02 |
| Internal wet section coated with DFT film or epoxy             | Call     |
| Starter Control Panel w/NEMA 12 protection                     | 62350-00 |
| Flange, 4" FNPT  | 16587-00 |

## Spare Parts Kits

| Description                   | Part no. |
|-------------------------------|----------|
| Basic spare parts kit         | 63167-00 |
| Comprehensive spare parts kit | 63168-00 |

\* Tested based on pumping water. Fluid handling rate may be impacted by quantity of elbows in the system, thickness of fluid, altitude and other factors. Locate pump as close to pumping source as possible.

## Wastecorp Mud Sucker® 4B-M-DD™ Series



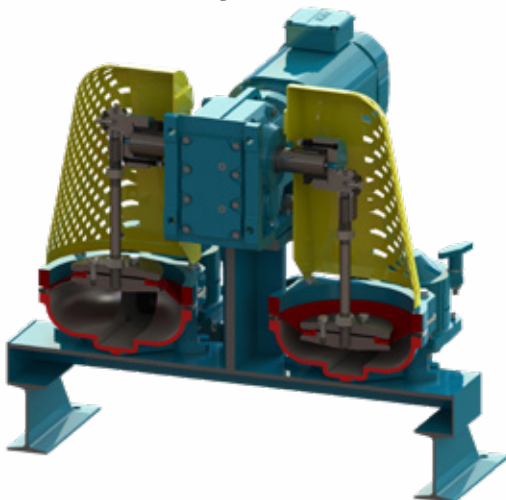
### Performance Range

|                     |                                 |
|---------------------|---------------------------------|
| Max. capacity       | 220 GPM                         |
| Max. suction lift   | 20' vertical or 75' horizontal  |
| Max. discharge head | 50' vertical or 300' horizontal |
| Solids handling     | 2¼" dia or 50% by volume        |

### Pump Specifications

|                           |   |
|---------------------------|---|
| Suction inlet/outlet size | 4"x4" ANSI flange (optional FNPT or male camlock) |
| Max. liquid temperature   | 140°F (60°C) continuous*                          |
| Pump body casing          | Cast Iron (ASTM A48; Class 30)                    |
| Diaphragm                 | TPE Santoprene®                                   |
| Ball valves               | Urethane with steel Core                          |
| Gear reducer              | SEW Eurodrive/Siemens                             |
| Crankarm                  | Cold roll steel 1018 (Drive Hub)                  |
| Pump rod                  | AISI 12L14 carbon steel                           |
| Pump operating speed      | 60 RPM  |

### 4B-EC-DD™ Cutaway



### 4B-M-DD™ Series Model Selection

| Model   | Part no. |
|---|----------|
| 11 HP Honda GX340 Gas Engine (electric start)     | 61728-00 |
| 9 HP Kohler/Yanmar Diesel Engine (electric start) | 61728-10 |

### 4B-M-DD™ Accessories

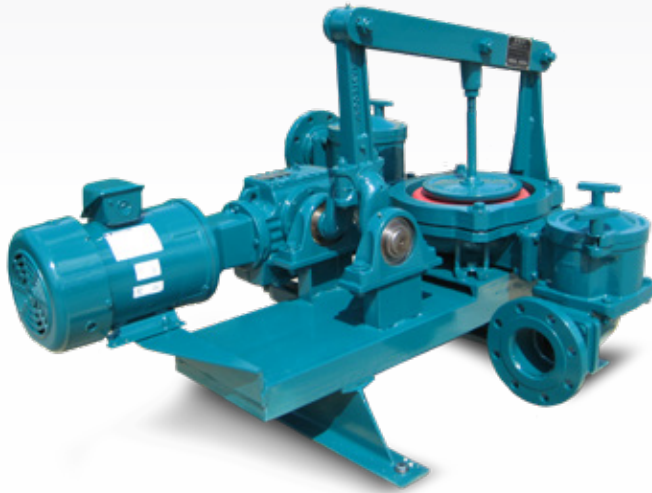
| Description  | Part no. |
|--|----------|
| Pressure relief valve (Advised), 2" FNTP set @60 psi           | 19022-60 |
| Hose, non-collapsible, EPDM rubber, 4"x20'. Camlocks included. | 60728-00 |
| Air chamber assembly (pulsation control)                       | 24900-00 |
| Utility trailer assembly, 2" ball hitch                        | 64686-02 |
| Internal wet section coated with DFT film or epoxy             | Call     |
| Camlock, 4"  | 61006-00 |
| Flange, 4" FNPT  | 16587-00 |
| Pressure gauge, w/dia. seal                                    | 22805-00 |

### Spare Parts Kits

| Description                   | Part no. |
|-------------------------------|----------|
| Basic spare parts kit         | 63167-00 |
| Comprehensive spare parts kit | 63168-00 |

\* Tested based on pumping water. Fluid handling rate may be impacted by quantity of elbows in the system, thickness of fluid, altitude and other factors. Locate pump as close to pumping source as possible.

# Wastecorp Mud Sucker® BW-EC™ Series



## Performance Range

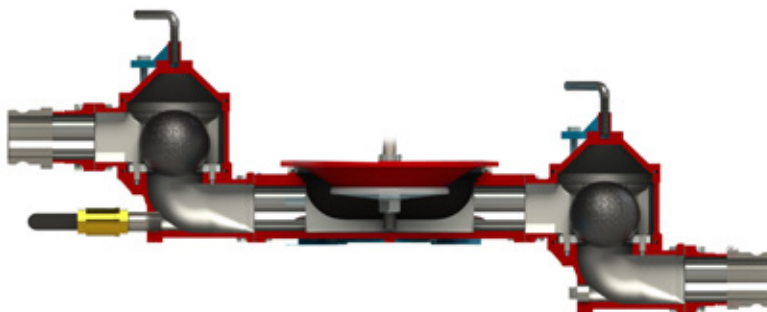
|                     |                                      |
|---------------------|--------------------------------------|
| Max. capacity       | 80 GPM/110 GPM                       |
| Max. suction lift   | 25' vertical or 75' horizontal       |
| Max. discharge head | 50' vertical or 300' horizontal      |
| Solids handling     | 1-5/8" / 2 1/4" dia or 50% by volume |

3"/4"

## Pump Specifications

|                           |   |
|---------------------------|---|
| Suction inlet/outlet size | 3"x3" / 4"x4" MNPT (ANSI flange, camlock) |
| Max. liquid temperature   | 140°F (60°C) continuous*                  |
| Pump body casing          | Cast Iron (ASTM A48; Class 30)            |
| Diaphragm                 | TPE Santoprene® Severe duty               |
| Ball valves               | Urethane with Steel Core                  |
| Gear reducer              | SEW Eurodrive/Siemens                     |
| Crank shaft               | Ductile iron                              |
| Connecting rod            | Cast iron                                 |
| Pump operating speed      | 60 RPM                                    |

## BW-EC™ Cutaway



## BW-EC™ Series Model Selection

| Model  | Part no. |
|--|----------|
| 3" model. Three phase.<br>3 HP/1800RPM/3/60/230-460V (or 575V)                 | 62548-00 |
| 3" model. Single phase<br>3 HP/1800RPM/1/60/115-230V                           | 62548-10 |
| 3" model. Three phase explosion proof. 3<br>HP/1800RPM/3/60/230-460V (or 575V) | 62548-20 |
| 3" model. Single phase explosion proof.<br>3 HP/1800RPM/1/60/115-230V          | 62548-30 |
| 4" model. Three phase.<br>5 HP/1800RPM/3/60/230-460V (or 575V)                 | 62548-00 |
| 4" model. Single phase<br>5 HP/1800RPM/1/60/115-230V                           | Call     |
| 4" model. Three phase explosion proof.<br>5 HP/1800RPM/3/60/230-460V (or 575V) | Call     |
| 4" model. Single phase explosion proof.<br>5 HP/1800RPM/1/60/115-230V          | Call     |

## BW-EC™ Accessories

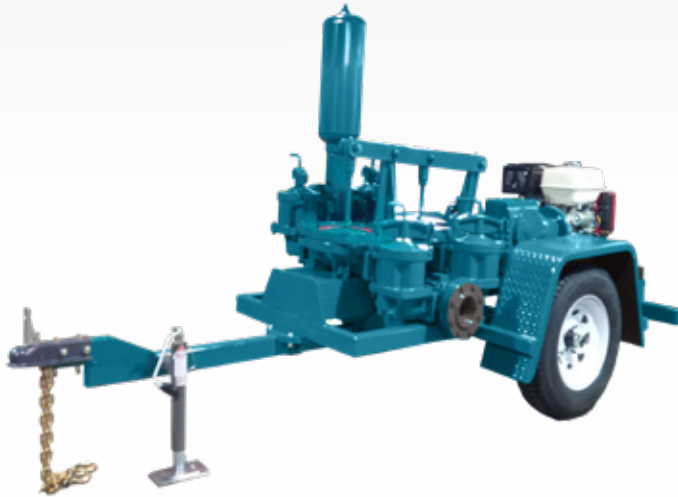
| Description   | Part no. |
|---|----------|
| Discharge pressure gauges (Recommended)                               | 22805-00 |
| Hose, non-collapsible BLK, EPDM rubber,<br>3"x20'. Camlocks included. | 60723-00 |
| Air chamber assembly w/ nipple and manifold                           | 24900-00 |
| Utility trailer assembly, 2" ball hitch                               | 61747-00 |

## Spare Parts Kits

| Description                               | Part no. |
|---|----------|
| Basic spare parts kit, 3BW Series         | 61687-00 |
| Basic spare parts kit, 4BW Series         | 61740-00 |
| Comprehensive spare parts kit, 3BW Series | 63271-00 |
| Comprehensive spare parts kit, 4BW Series | 63272-00 |



## Wastecorp Mud Sucker® BW-M™ Series



### Applications

- Mining, municipal wastewater treatment, pulp and paper transfer, industrial sludge
- Any fluid that contains solids or slurry
- Mobile dewatering applications

### Benefits

- Proven design for over 80 years.
- Walking beam style with check ball technology
- Bronze, cast iron or stainless steel valve seats available
- Pump piping orientation can be customized
- Electric, engine, hydraulic or air driven available

### Performance Range

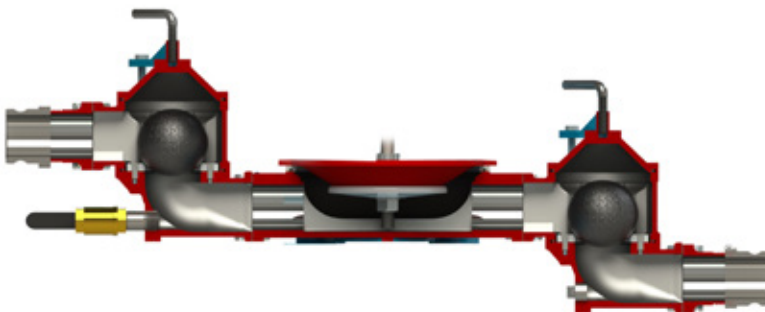
|                     |                                       |
|---------------------|---------------------------------------|
| Max. capacity       | 80 GPM/110 GPM                        |
| Max. suction lift   | 25' vertical or 75' horizontal        |
| Max. discharge head | 50' vertical or 300' horizontal       |
| Solids handling     | 1-5/8" / 2 1/4" dia. or 50% by volume |

3"/4"

### Pump Specifications

|                           |   |
|---------------------------|---|
| Suction inlet/outlet size | 3"x3" / 4"x4" MNPT (ANSI flange, camlock) |
| Max. liquid temperature   | 140°F (60°C) continuous*                  |
| Pump body casing          | Cast Iron (ASTM A48; Class 30)            |
| Diaphragm                 | TPE Santoprene® Severe duty               |
| Ball valves               | Urethane with Steel Core                  |
| Crank shaft               | Ductile iron                              |
| Crank shaft               | Ductile iron                              |
| Connecting rod            | Cast iron                                 |
| Pump operating speed      | 60 RPM                                    |

### BW-M™ Cutaway



### BW-M™ Series Model Selection

| Model   | Part no. |
|---|----------|
| 3" model. Honda GX340 gas engine (electric start) | Call     |
| 3" model. Kohler diesel engine (electric start)   | Call     |
| 4" model. Honda GX340 gas engine (electric start) | 61764-00 |
| 4" model. Kohler diesel engine (electric start)   | 61764-10 |

### BW-M™ Accessories

| Description  | Part no. |
|--|----------|
| Discharge pressure gauges (Recommended)                            | 22805-00 |
| Hose, non-collapsible BLK, EPDM rubber, 3"x20'. Camlocks included. | 60723-00 |
| Air chamber assembly w/ nipple and manifold                        | 24900-00 |
| Utility trailer assembly, 2" ball hitch                            | 61747-00 |
| Internal wet section coated with DFT film or epoxy                 | Call     |

### Spare Parts Kits

| Description                               | Part no. |
|---|----------|
| Basic spare parts kit, 3BW Series         | 61687-00 |
| Basic spare parts kit, 4BW Series         | 61740-00 |
| Comprehensive spare parts kit, 3BW Series | 63271-00 |
| Comprehensive spare parts kit, 4BW Series | 63272-00 |

## Wastecorp Mud Sucker® Air Operated Diaphragm Pumps



Most Mud Sucker Diaphragm pump models are available with air operated drive systems for facilities with air hose lines or compatible compressors. Contact Wastecorp for the full range of CFM requirements and drive manufacturers. See a select range of AOD pumps below with part number, model and description.

| Part#    | Model      | Description  |
|----------|------------|--|
| 64809-00 | 2FAC-AP    | 2" Mud Sucker diaphragm pump with pneumatic drive and next generation flapper system                               |
| 64994-40 | 3FAC-AP    | 3" Mud Sucker Diaphragm Pump with pneumatic drive and next generation flapper system                               |
| 61357-00 | 3FA-AP     | 3" Mud Sucker Diaphragm Pump with pneumatic drive and original flapper system                                      |
| 64812-00 | 2FAC-AP-DD | 2" Mud Sucker double diaphragm pump with pneumatic drive and next generation flapper system                        |
| 61776-00 | 3FA-AP-DD  | 3" Mud Sucker original flapper style double diaphragm pump with pneumatic drive and next generation flapper system |
| 64995-40 | 3FAC-AP-DD | 3" Mud Sucker double diaphragm pump with pneumatic drive and next generation flapper system                        |
| 64746-50 | 4FAC-AP    | 4" Mud Sucker diaphragm pump with pneumatic drive and next generation flapper system                               |
| 61512-00 | 2B-AP      | 2" Mud Sucker diaphragm pump with pneumatic drive and ball valve fluid management technology                       |
| 61770-00 | 3B-AP      | 3" Mud Sucker diaphragm pump with pneumatic drive and ball valve fluid management technology                       |
| 61779-00 | 4B-AP      | 4" Mud Sucker diaphragm pump with pneumatic drive and ball valve fluid management technology                       |
| 61766-00 | 2B-AP-DD   | 2" Mud Sucker double diaphragm pump with pneumatic drive and ball valve fluid management technology                |
| 64378-00 | 3B-AP-DD   | 3" Mud Sucker double diaphragm pump with pneumatic drive and ball valve fluid management technology                |
| 61781-00 | 4B-AP-DD   | 4" Mud Sucker double diaphragm pump with pneumatic drive and ball valve fluid management technology                |

## Wastecorp Mud Sucker® Hydraulic Powered Diaphragm Pumps



If your facility or application has access to hydraulic fluid lines, then the Mud Sucker HP Series (hydraulic pumps) may be a good fit for you. Wastecorp offers a full range of hydraulic drive options available from the industry's top rated manufacturers. See a select range of Mud Sucker hydraulic diaphragm pumps below with part number, model and description.

| Part#    | Model      | Description   |
|----------|------------|---|
| 64810-00 | 2FAC-HP    | 2" Mud Sucker diaphragm pump with hydraulic drive and next generation flapper system                |
| 64994-50 | 3FAC-HP    | 3" Mud Sucker diaphragm pump with hydraulic drive and next generation flapper system                |
| 64746-00 | 4FAC-HP    | 4" Mud Sucker diaphragm pump with hydraulic drive and next generation flapper system                |
| 61777-00 | 3FA-HP     | 3" Mud Sucker Diaphragm Pump with hydraulic drive and original flapper system                       |
| 64813-00 | 2FAC-HP-DD | 2" Mud Sucker double diaphragm pump with hydraulic drive and next generation flapper system         |
| 64995-50 | 3FAC-HP-DD | 3" Mud Sucker double diaphragm pump with hydraulic drive and next generation flapper system         |
| 61513-00 | 2B-HP      | 2" Mud Sucker diaphragm pump with hydraulic drive and ball valve fluid management technology        |
| 64496-00 | 3B-HP      | 3" Mud Sucker diaphragm pump with hydraulic drive and ball valve fluid management technology        |
| 64503-00 | 4B-HP      | 4" Mud Sucker diaphragm pump with hydraulic drive and ball valve fluid management technology        |
| 61767-00 | 2B-HP-DD   | 2" Mud Sucker double diaphragm pump with hydraulic drive and ball valve fluid management technology |
| 64376-00 | 3B-HP-DD   | 3" Mud Sucker double diaphragm pump with hydraulic drive and ball valve fluid management technology |
| 61782-00 | 4B-HP-DD   | 4" Mud Sucker double diaphragm pump with hydraulic drive and ball valve fluid management technology |

North America: 1-888-829-2783

Fax: 1-888-883-3320

Worldwide: +1-201-445-2882

Fax: +1-201-445-3252

E-mail: [info@wastecorp.com](mailto:info@wastecorp.com)

Internet: [www.wastecorp.com](http://www.wastecorp.com)

## **FOR TOUGH PUMPING APPLICATIONS YOUR PUMP BETTER HAVE ATTITUDE.**

*Mud Sucker Diaphragm Pumps provide multi-industry solutions to transfer over 1000 kinds of liquids including municipal sewage, slurry, food processing waste, oils and more. From heavy duty flapper valve models for lighter waste transfer to severe duty ball valve style pumps to crush solids, Mud Sucker's are available in single and double diaphragm models.*

*Select from 1½" - 4" connection sizes and transfer up to 220 GPM. With a patented design, including our exclusive contoured velocity channel and specialty models like hydraulic and pneumatic pumps, once you use a Wastecorp Mud Sucker you'll see why there is simply no other diaphragm pump like it on the market.*



**WASTECORP.**  
**Pumps®**

Specifications, literature and illustrative material in this diaphragm pump manufacturer brochure are accurate at the time of publication but are subject to change without notice.

Illustrations may include optional equipment and accessories and may not include all standard equipment. Wastecorp and globes are trademarks of WPI/Wastecorp Pumps. Wastecorp Pumps is the exclusive manufacturer of these brands worldwide under license. Marks are protected in North America and worldwide.

© 2021 WPI. All rights reserved. New York, NY 10024.  
NYC/West85 Djs 02/21 V1. Litho in the United States of America.  
For a complete engineering specification contact Wastecorp Pumps at 1.888.829.2783 or by E-mail: [info@wastecorp.com](mailto:info@wastecorp.com).

Also on the web at <http://www.wastecorp.com>

**In any language, the Mud Sucker is know worldwide as a leading diaphragm pump brand.**

**diaphragm pump**

**pompe à membrane**

**bomba de diafragma**

**мембранный насос**

**membranpumpe**

**pam diafragma**